


SECTION 4 CHARTS AND DIAGRAMS

NOTES OF SCHEMATIC DIAGRAM

Safety precautions

The Components identified by the symbol  are critical for safety. For continued safety, replace safety critical components only with manufacturer's recommended parts.

1. Units of components on the schematic diagram

Unless otherwise specified.

- 1) All resistance values are in ohm. 1/6 W, 1/8 W (refer to parts list).
Chip resistors are 1/16 W.
K: KΩ (1000Ω), M: MΩ (1000KΩ)
- 2) All capacitance values are in μF, (P: PF).
- 3) All inductance values are in μH, (m: mH).
- 4) All diodes are 1SS133, MA165 or 1N4148M (refer to parts list).

2. Indications of control voltage

AUX : Active at high.

$\overline{\text{AUX}}$ or AUX(L) : Active at low.

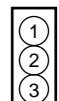
3. Interpreting Connector indications



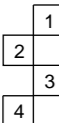
Removable connector



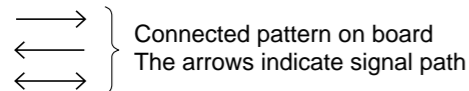
Wire soldered directly on board



Non-removable Board connector



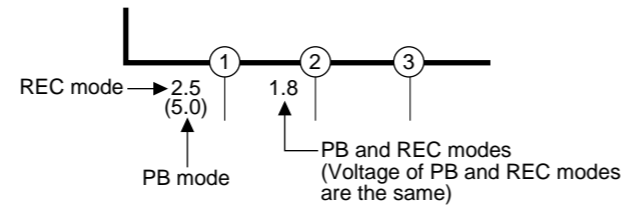
Board to Board



Connected pattern on board
The arrows indicate signal path

4. Voltage measurement

- 1) Regulator (DC/DC CONV) circuits
REC : Colour bar signal.
PB : Alignment tape (Colour bar).
— : Unmeasurable or unnecessary to measure.
- 4) Indication on schematic diagram
Voltage Indications for REC and PB mode on the schematic diagram are as shown below.

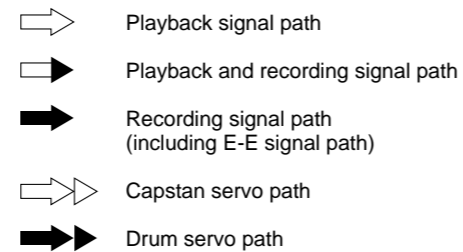


Note: If the voltages are not indicated on the schematic diagram, refer to the voltage charts.

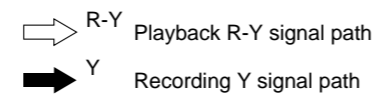
5. Signal path Symbols

The arrows indicate the signal path as follows.

NOTE : The arrow is DVC unique object.

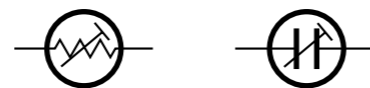


(Example)



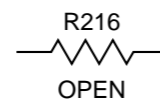
6. Indication of the parts for adjustments

The parts for the adjustments are surrounded with the circle as shown below.



7. Indication of the parts not mounted on the circuit board

"OPEN" is indicated by the parts not mounted on the circuit board.



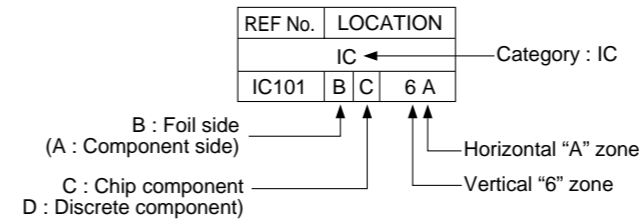
CIRCUIT BOARD NOTES

1. Foil and Component sides

- 1) Foil side (B side) :
Parts on the foil side seen from foil face (pattern face) are indicated.
- 2) Component side (A side) :
Parts on the component side seen from component face (parts face) indicated.

2. Parts location guides

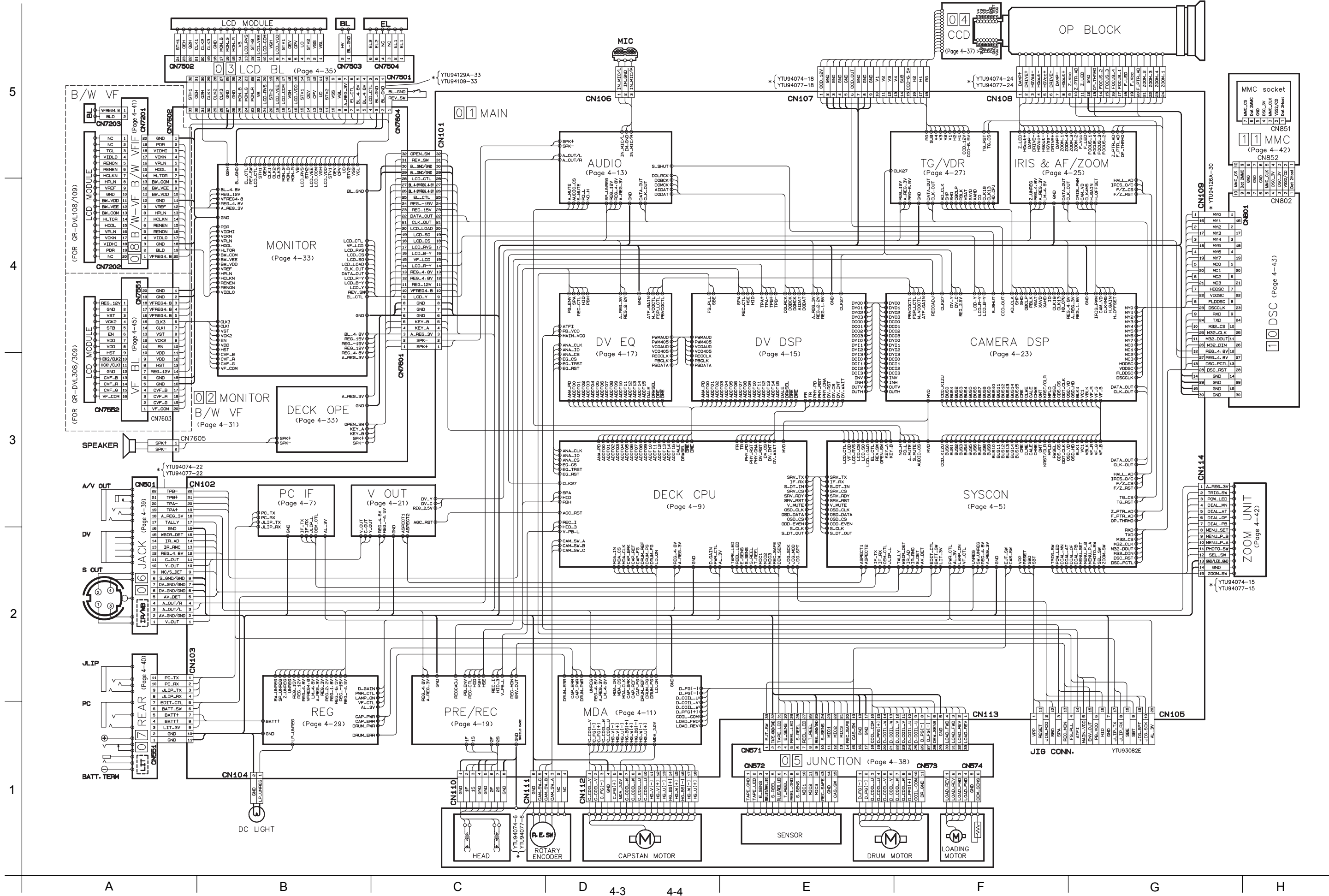
Parts location are indicated by guide scale on the circuit board.



Note: For general information in service manual, please refer to the Service Manual of GENERAL INFORMATION Edition 4 No. 82054D (January 1994).

4.1 BOARD INTERCONNECTIONS

NOTE) *: The number of patch cords are indicated by interconnected.



5

4

3

2

1

A

B

C

D

4-3

4-4

E

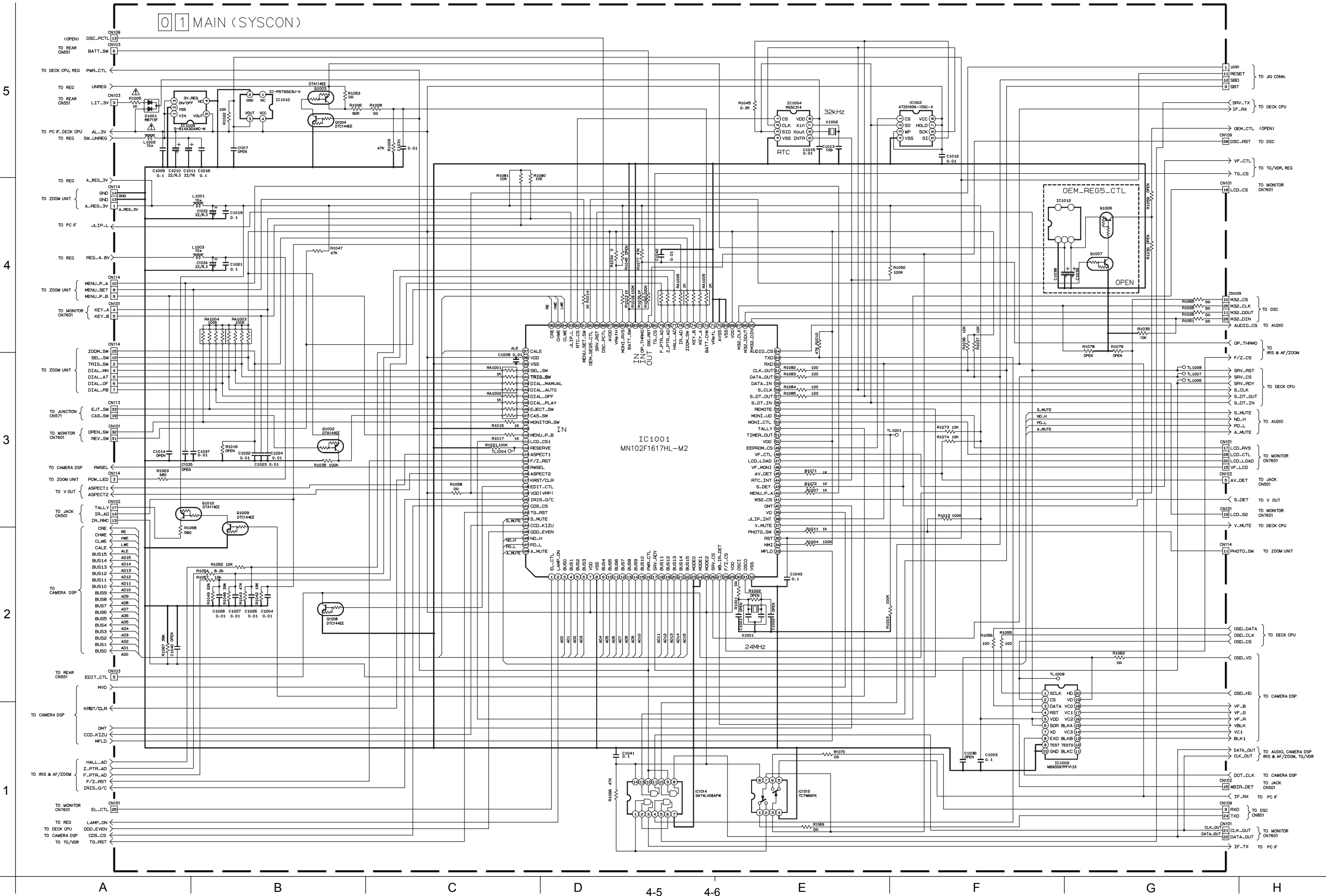
F

G

H

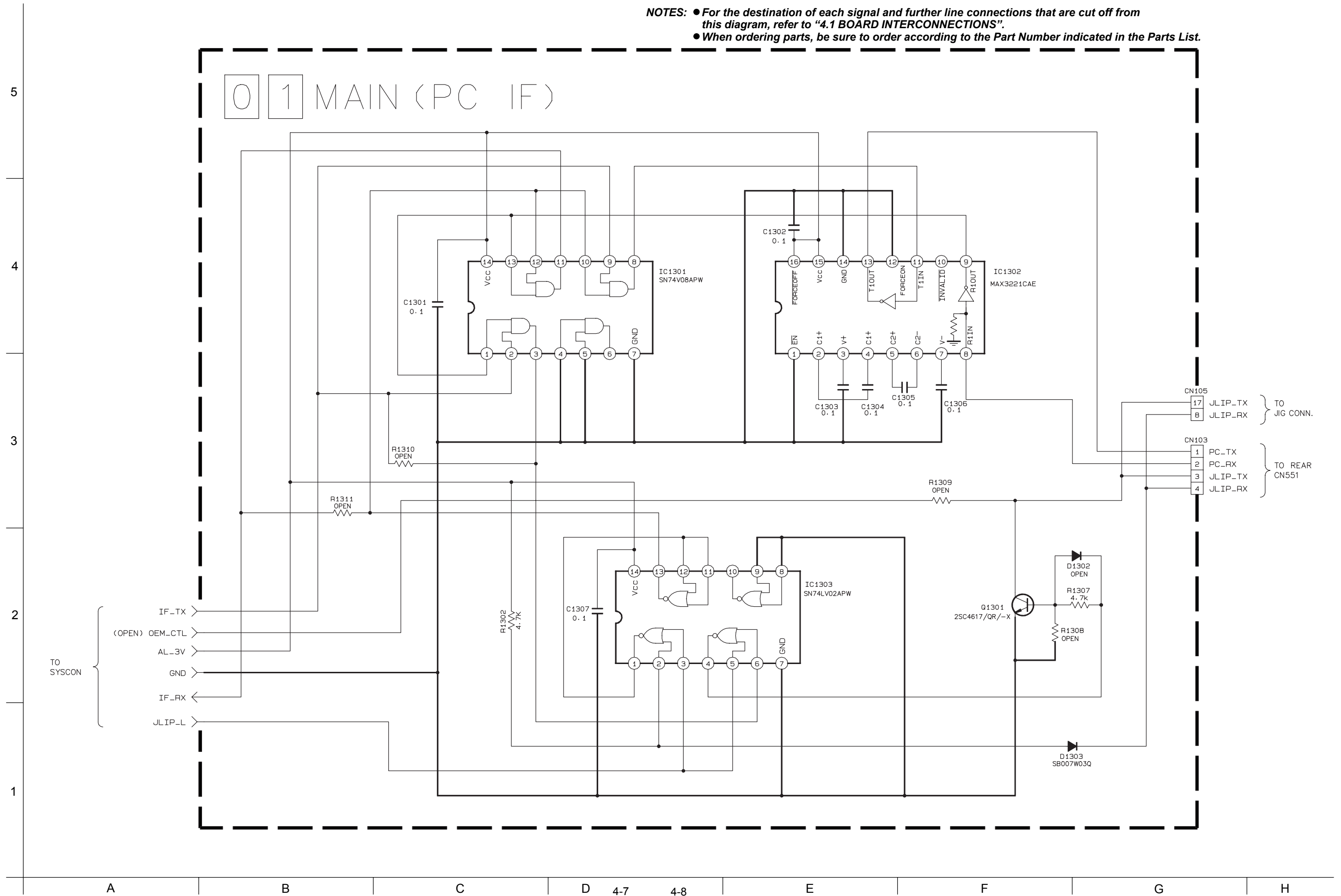
4.2 SYSCON SCHEMATIC DIAGRAM

NOTES: ● For the destination of each signal and further line connections that are cut off from this diagram, refer to "4.1 BOARD INTERCONNECTIONS".
 ● When ordering parts, be sure to order according to the Part Number indicated in the Parts List.



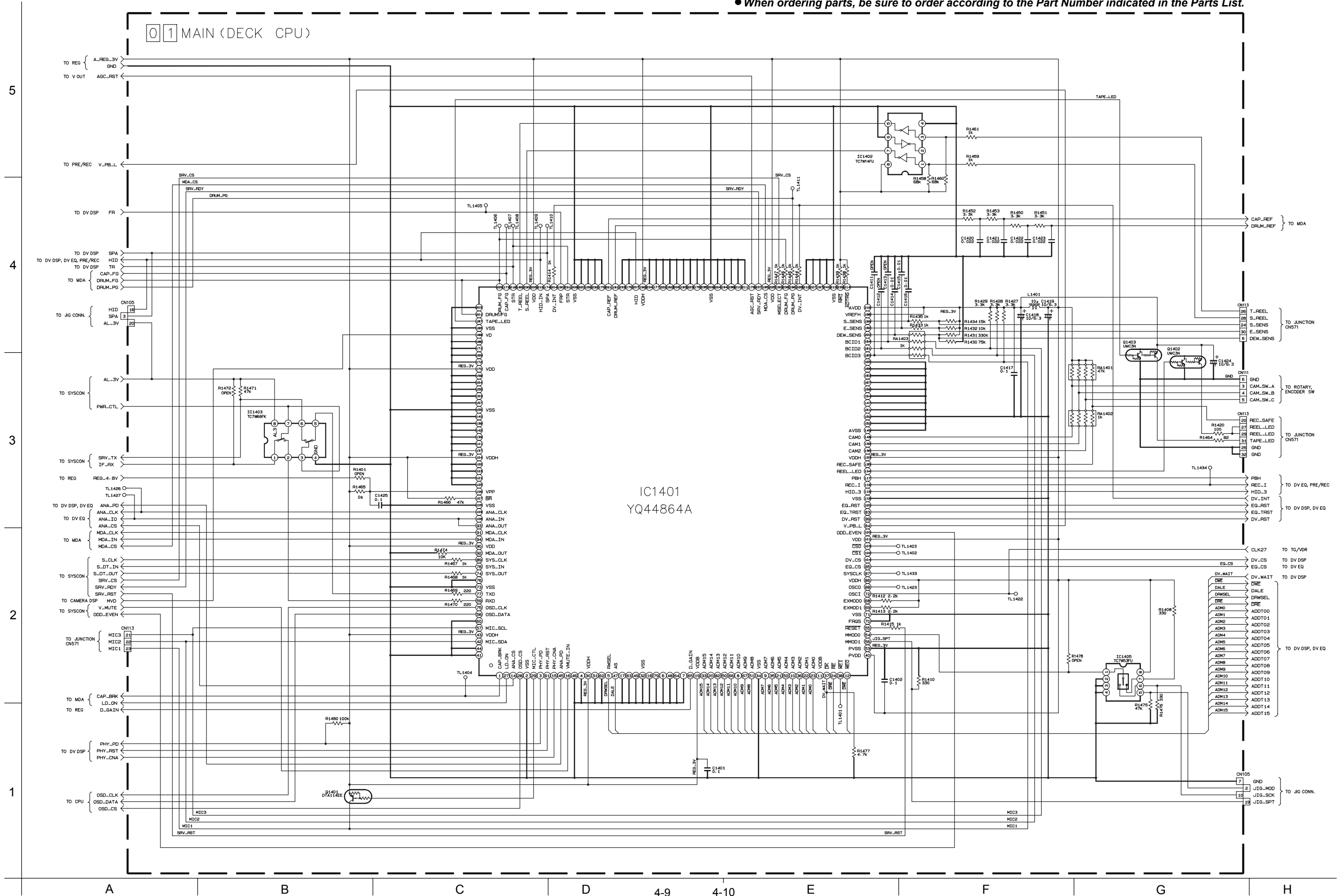
4.3 PC IF SCHEMATIC DIAGRAM

NOTES: ● For the destination of each signal and further line connections that are cut off from this diagram, refer to "4.1 BOARD INTERCONNECTIONS".
 ● When ordering parts, be sure to order according to the Part Number indicated in the Parts List.



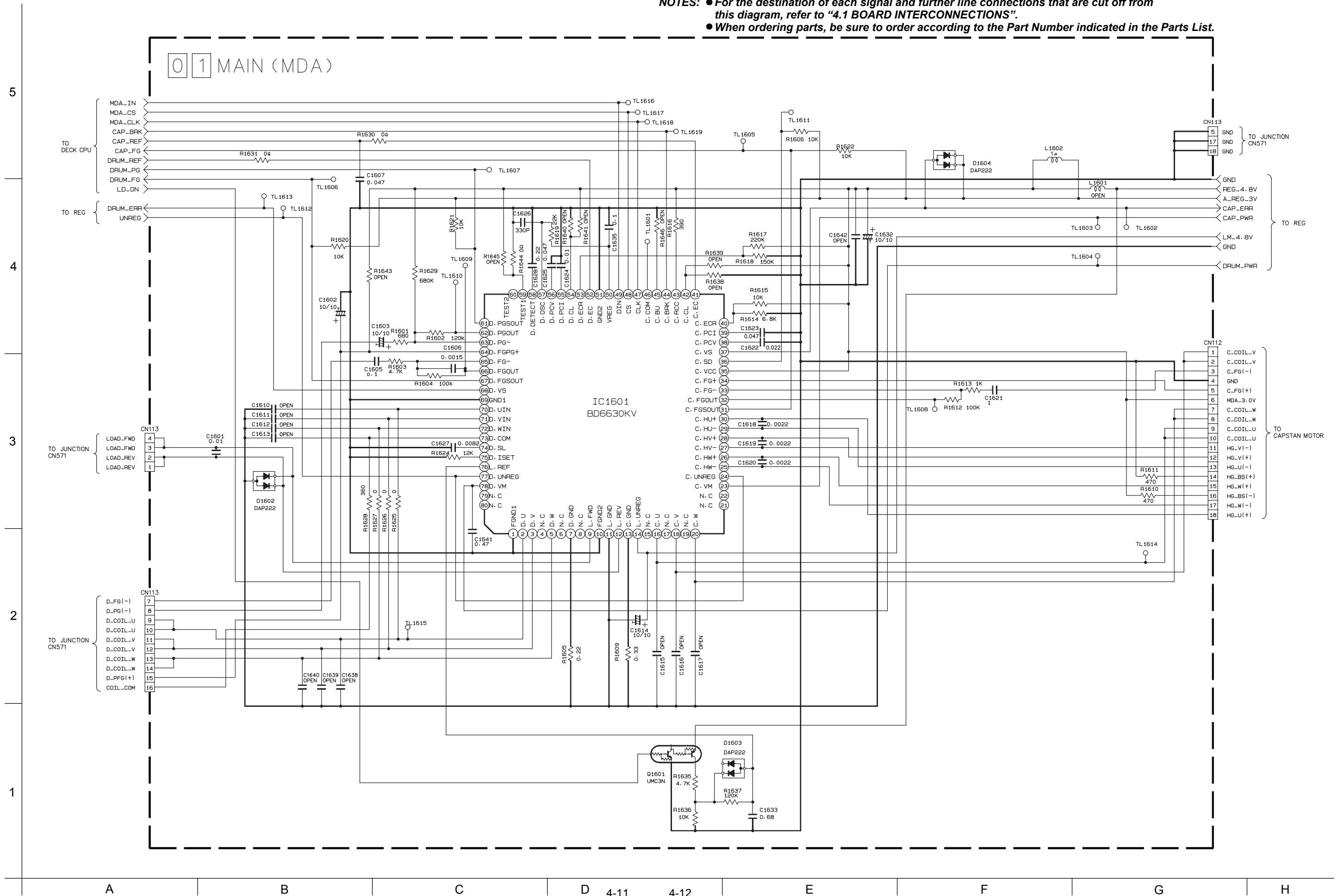
4.4 DECK CPU SCHEMATIC DIAGRAM

NOTES: ● For the destination of each signal and further line connections that are cut off from this diagram, refer to "4.1 BOARD INTERCONNECTIONS".
● When ordering parts, be sure to order according to the Part Number indicated in the Parts List.



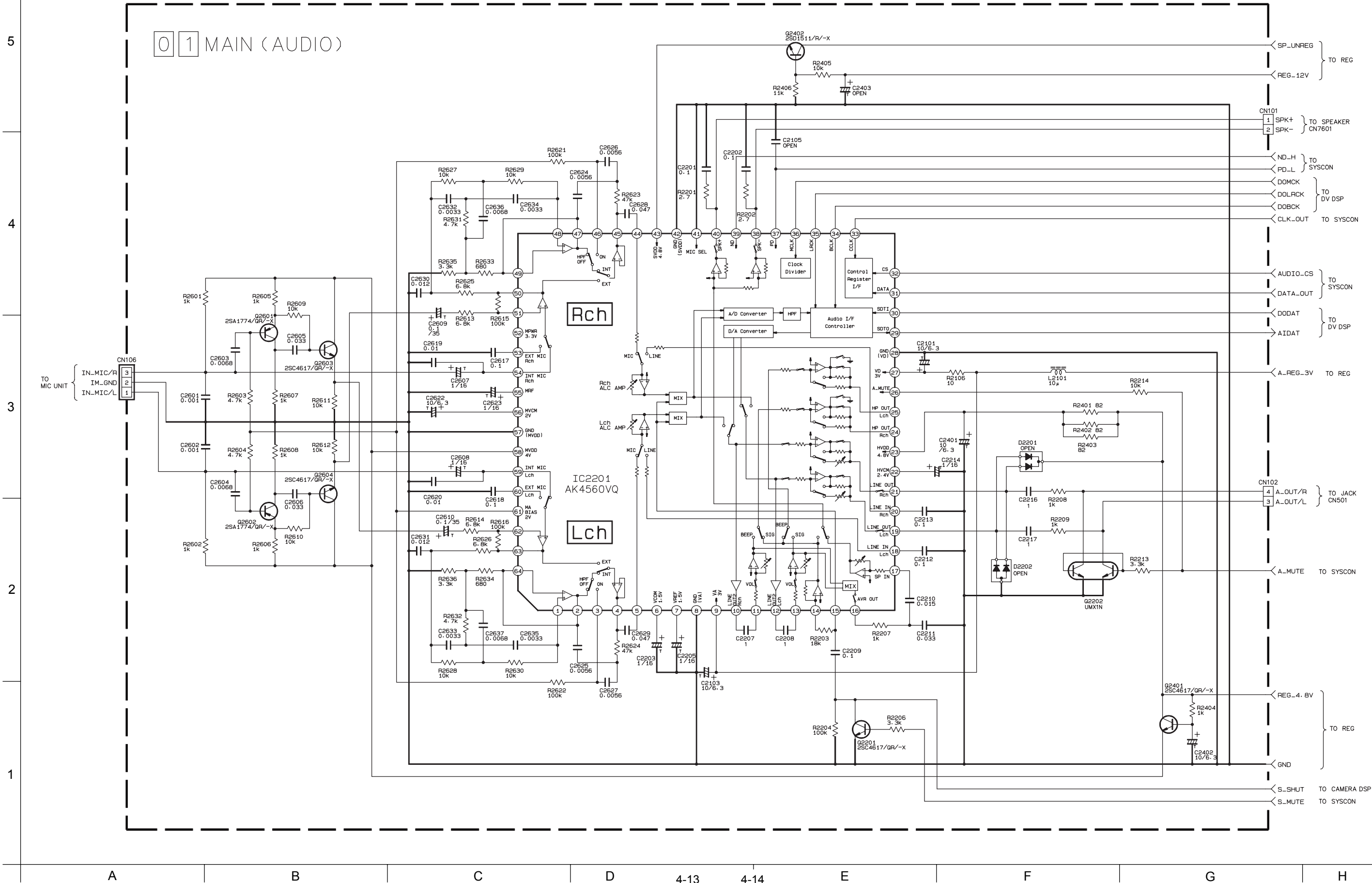
4.5 MDA SCHEMATIC DIAGRAM

NOTES: ● For the destination of each signal and further line connections that are cut off from this diagram, refer to "4.1 BOARD INTERCONNECTIONS".
 ● When ordering parts, be sure to order according to the Part Number indicated in the Parts List.



4.6 AUDIO SCHEMATIC DIAGRAM

NOTES: ● For the destination of each signal and further line connections that are cut off from this diagram, refer to "4.1 BOARD INTERCONNECTIONS".
 ● When ordering parts, be sure to order according to the Part Number indicated in the Parts List.



01 MAIN (AUDIO)

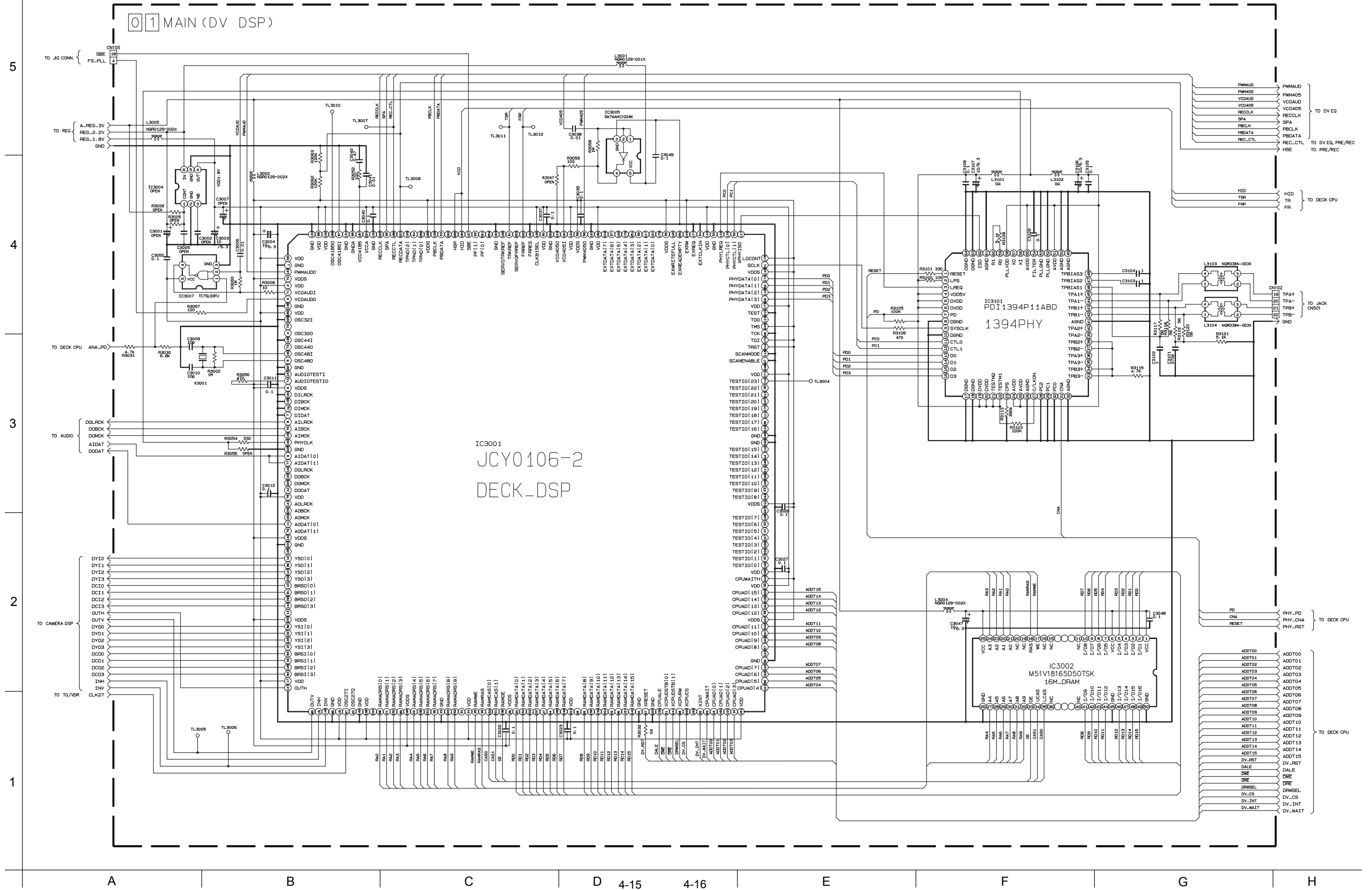
- SP_UNREG } TO REG
- REG_12V } TO REG
- CN101 } TO SPEAKER
- 1 SPK+ } CN7601
- 2 SPK- } CN7601
- ND_H } TO SYSCON
- PD_L } TO SYSCON
- DOMCK } TO DV DSP
- DOLRCK } TO DV DSP
- DOBCK } TO DV DSP
- CLK_OUT } TO SYSCON
- AUDIO_CS } TO SYSCON
- DATA_OUT } TO SYSCON
- DODAT } TO DV DSP
- AIDAT } TO DV DSP
- A_REG_3V } TO REG
- CN102 } TO JACK
- 4 A_OUT/R } CN501
- 3 A_OUT/L } CN501
- A_MUTE } TO SYSCON
- REG_4.8V } TO REG
- GND } TO REG
- S_SHUT } TO CAMERA DSP
- S_MUTE } TO SYSCON

A B C D 4-13 4-14 E F G H

5
4
3
2
1

4.7 DV DSP SCHEMATIC DIAGRAM

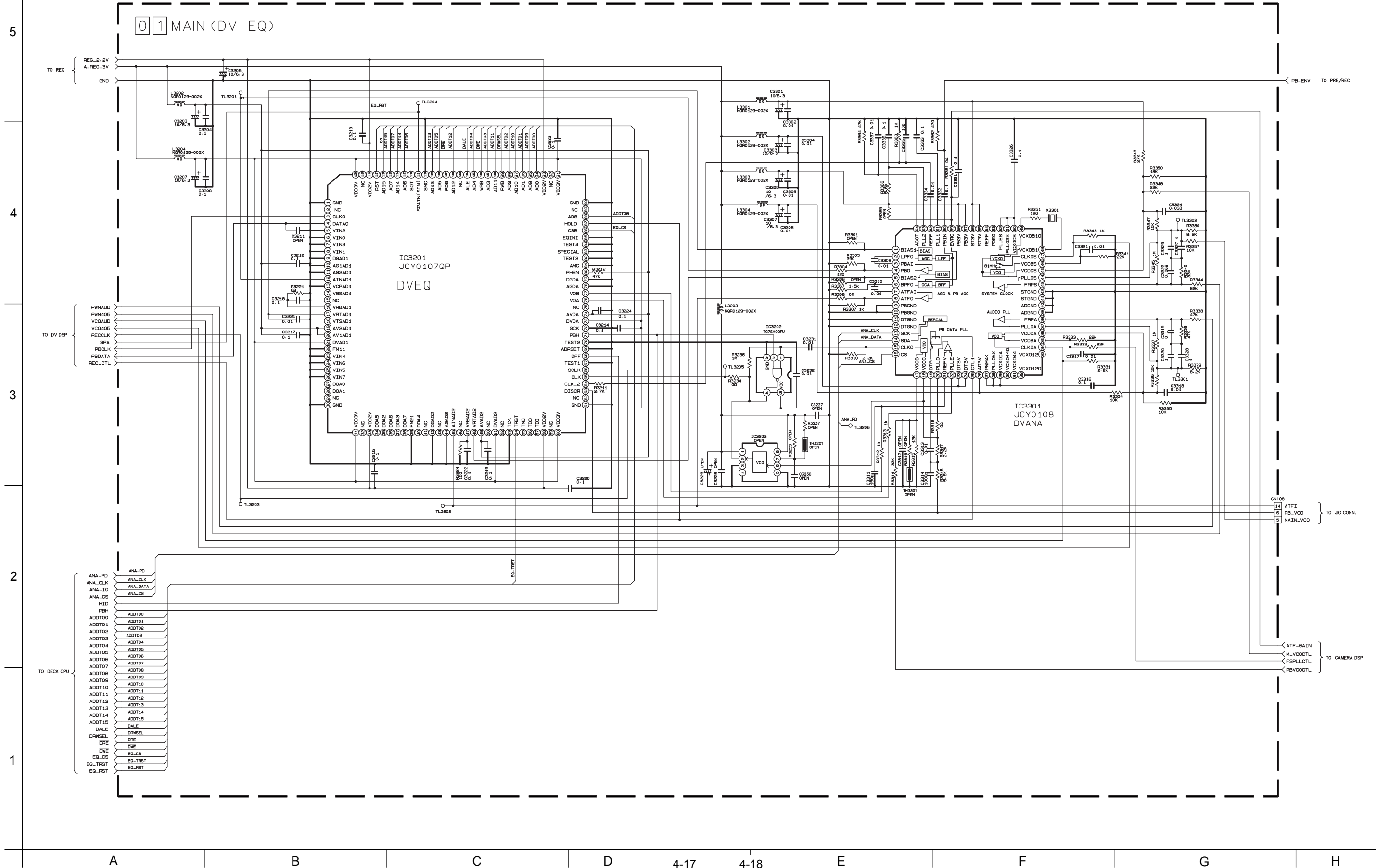
NOTES: ● For the destination of each signal and further line connections that are cut off from this diagram, refer to "4.1 BOARD INTERCONNECTIONS".
 ● When ordering parts, be sure to order according to the Part Number indicated in the Parts List.



4.8 DV EQ SCHEMATIC DIAGRAM

NOTES:

- For the destination of each signal and further line connections that are cut off from this diagram, refer to "4.1 BOARD INTERCONNECTIONS".
- When ordering parts, be sure to order according to the Part Number indicated in the Parts List.

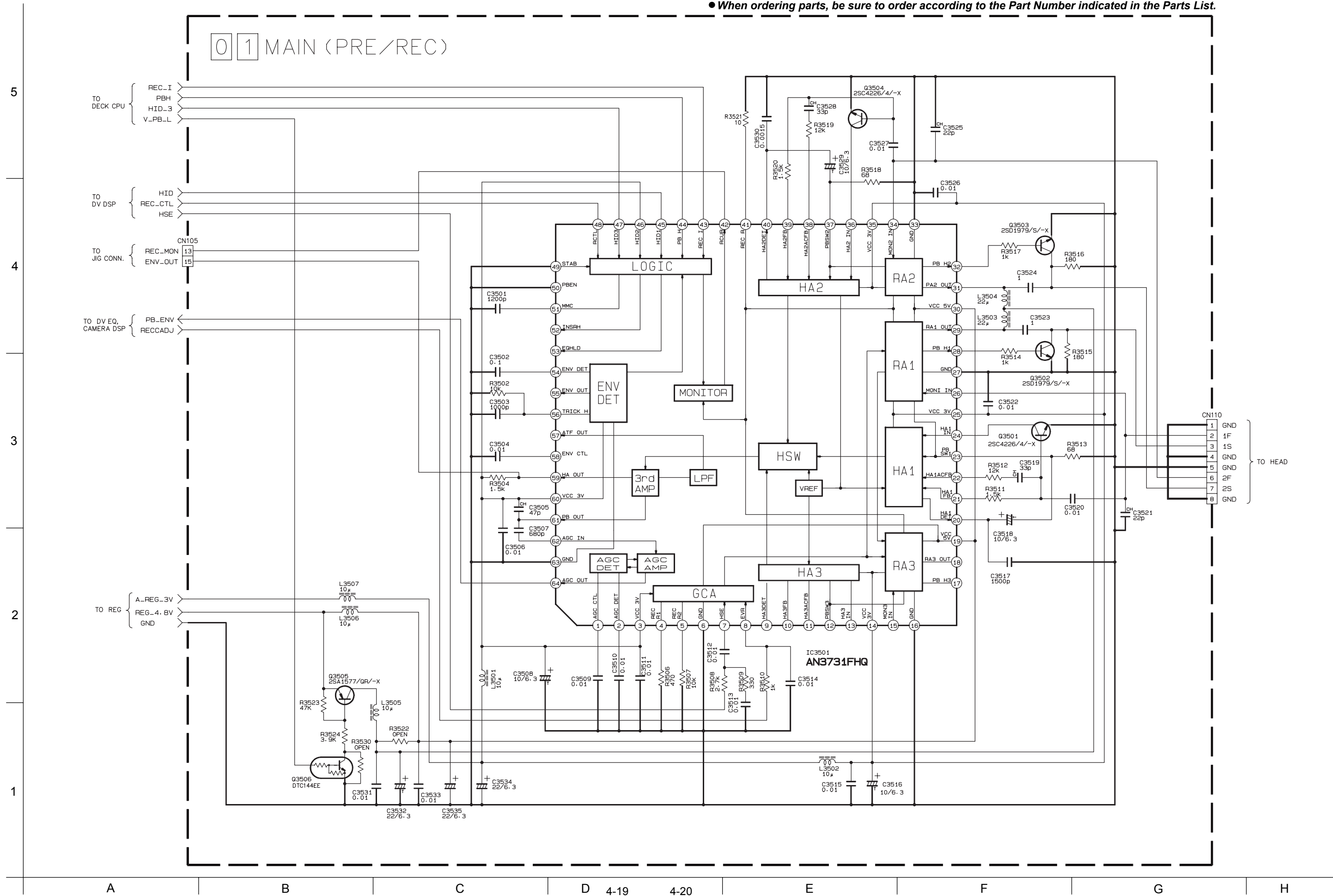


CH105
 14 ATFI
 6 PB_VCO
 5 MAIN_VCO } TO JIG CONN.

ATF_GAIN
 M_VCOCTL
 FSPLLCTL
 PBVCOCTL } TO CAMERA DSP

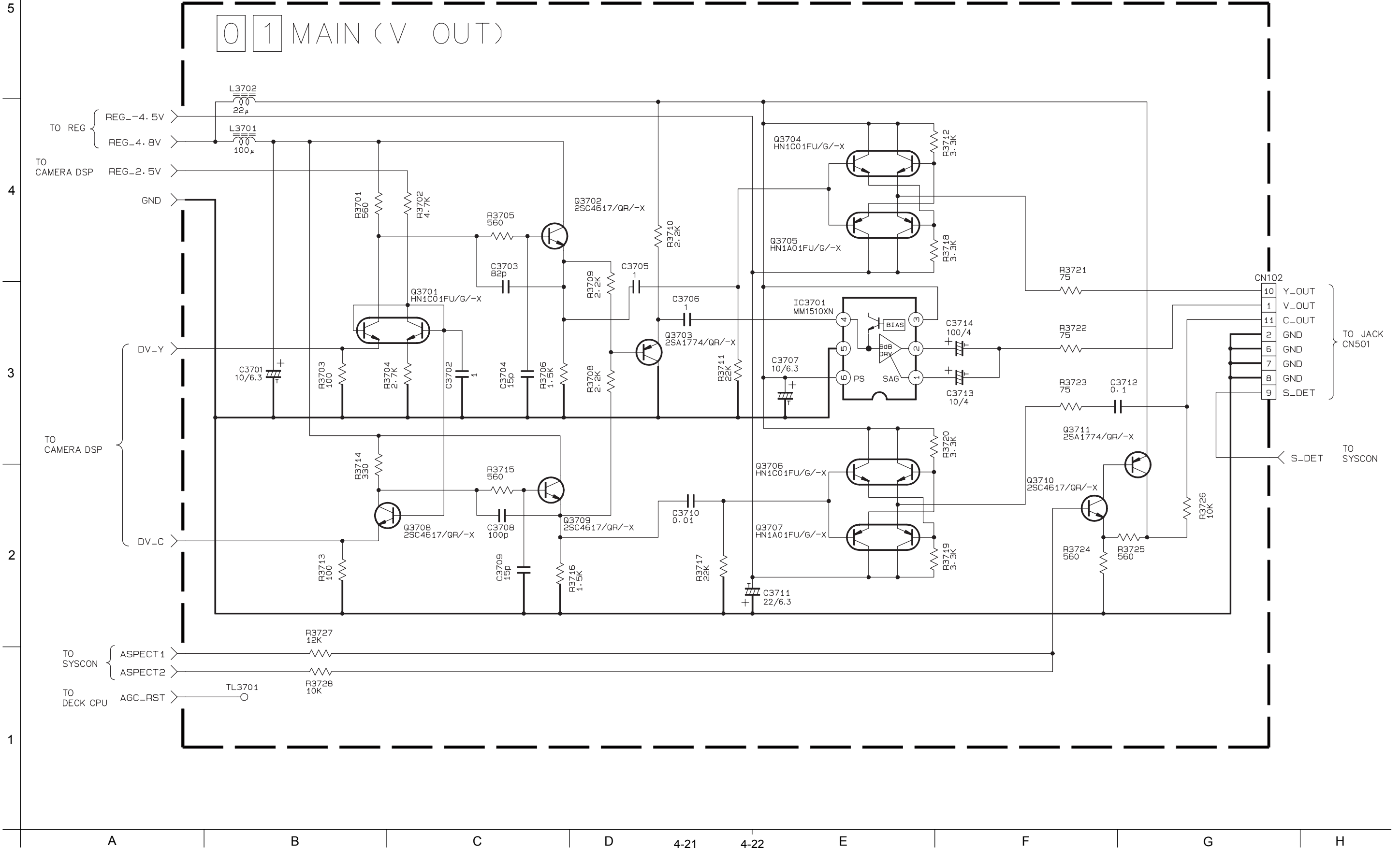
4.9 PRE/REC SCHEMATIC DIAGRAM

NOTES: ● For the destination of each signal and further line connections that are cut off from this diagram, refer to "4.1 BOARD INTERCONNECTIONS".
 ● When ordering parts, be sure to order according to the Part Number indicated in the Parts List.



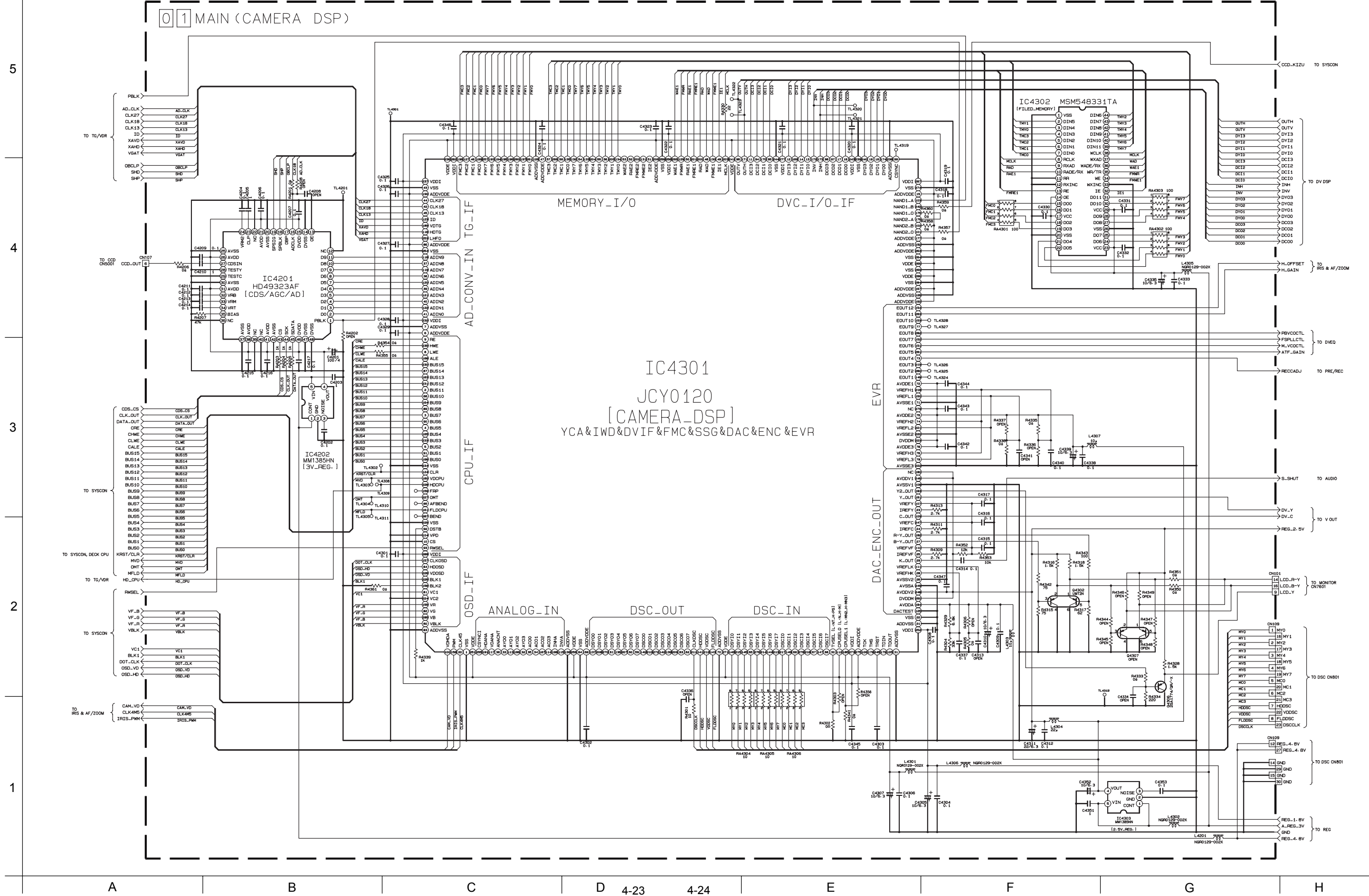
4.10 V OUT SCHEMATIC DIAGRAM

NOTES: ● For the destination of each signal and further line connections that are cut off from this diagram, refer to "4.1 BOARD INTERCONNECTIONS".
 ● When ordering parts, be sure to order according to the Part Number indicated in the Parts List.



4.11 CAMERA DSP SCHEMATIC DIAGRAM

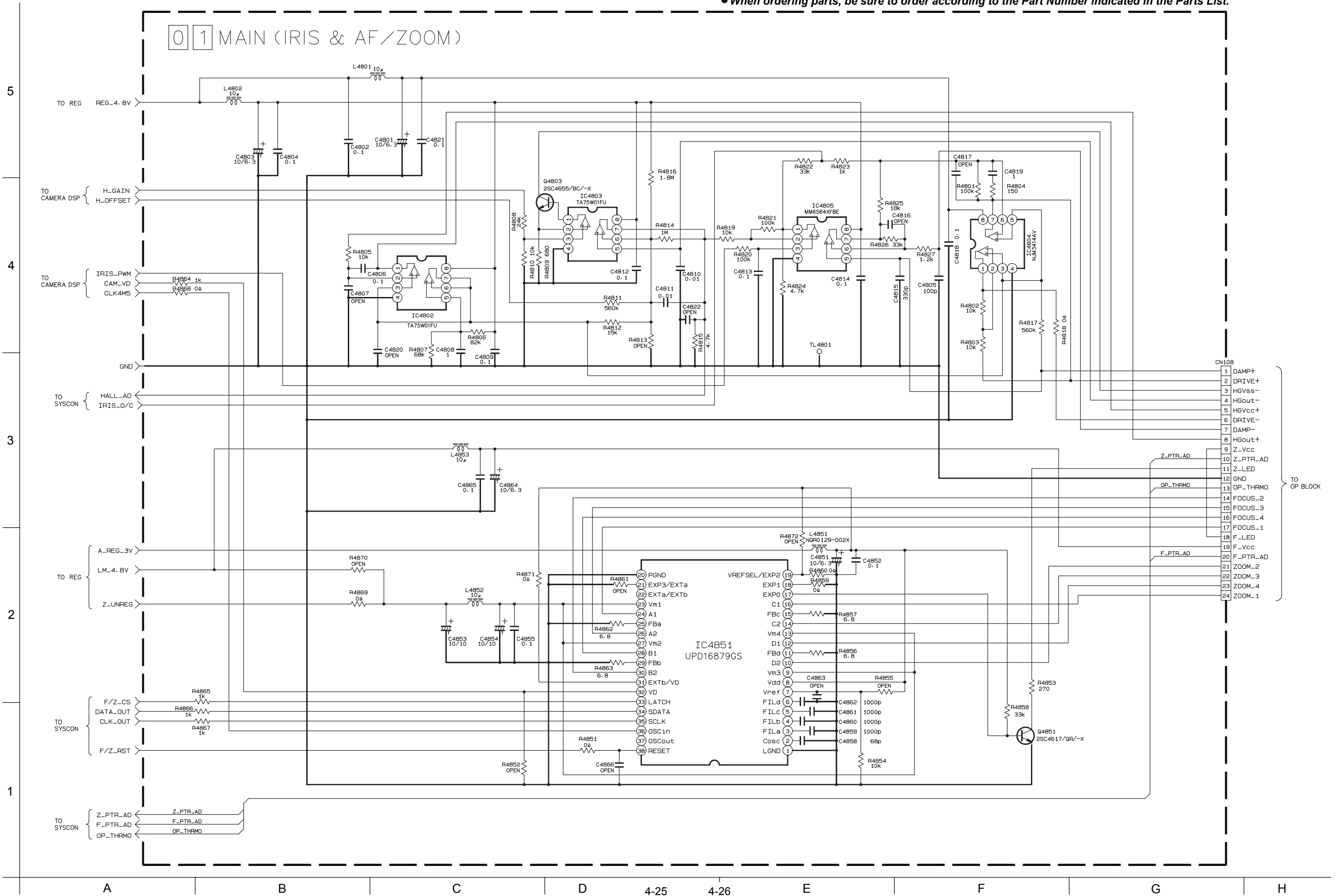
NOTES: ● For the destination of each signal and further line connections that are cut off from this diagram, refer to "4.1 BOARD INTERCONNECTIONS".
 ● When ordering parts, be sure to order according to the Part Number indicated in the Parts List.



4.12 IRIS & AF/ZOOM SCHEMATIC DIAGRAM

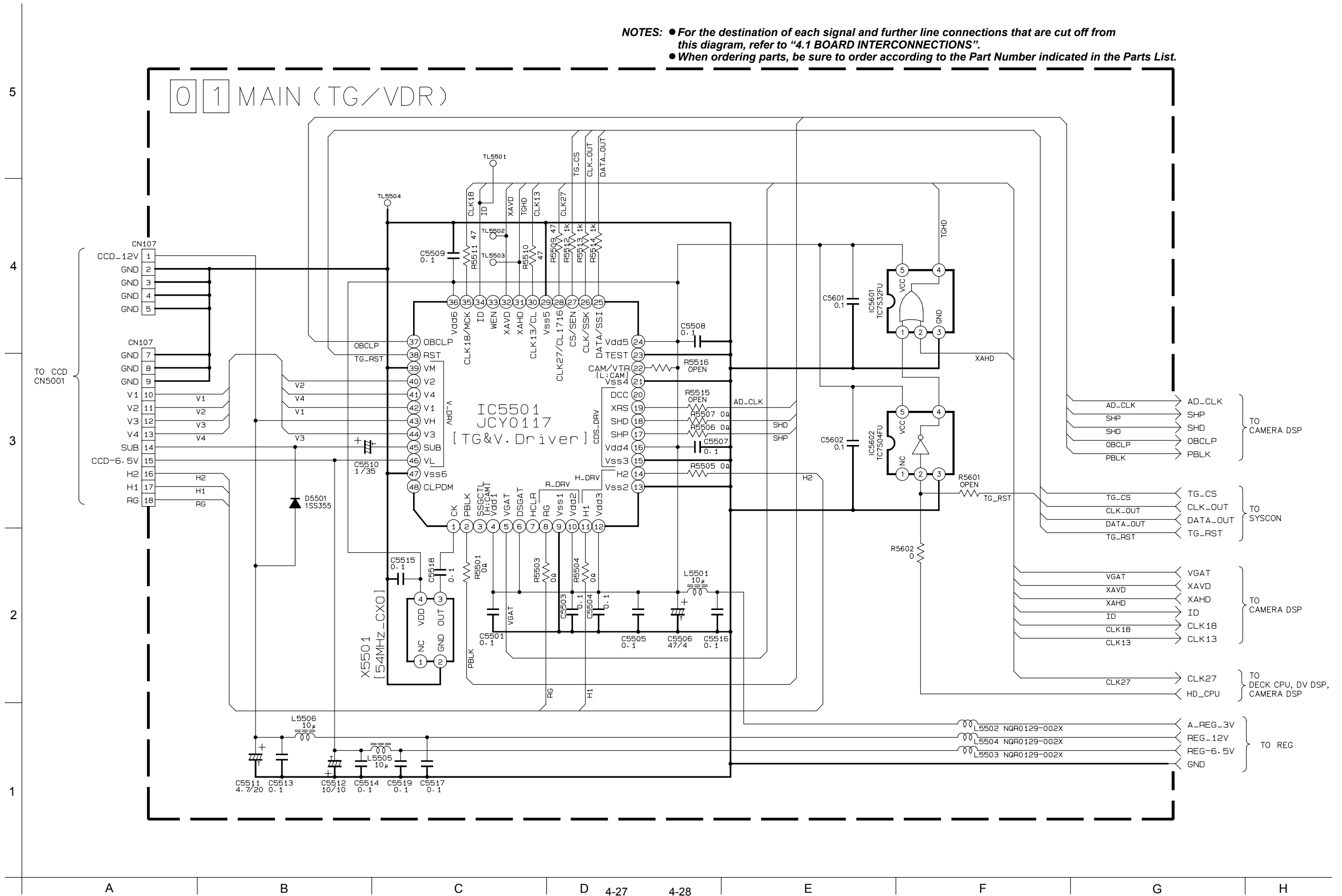
NOTES:

- For the destination of each signal and further line connections that are cut off from this diagram, refer to "4.1 BOARD INTERCONNECTIONS".
- When ordering parts, be sure to order according to the Part Number indicated in the Parts List.



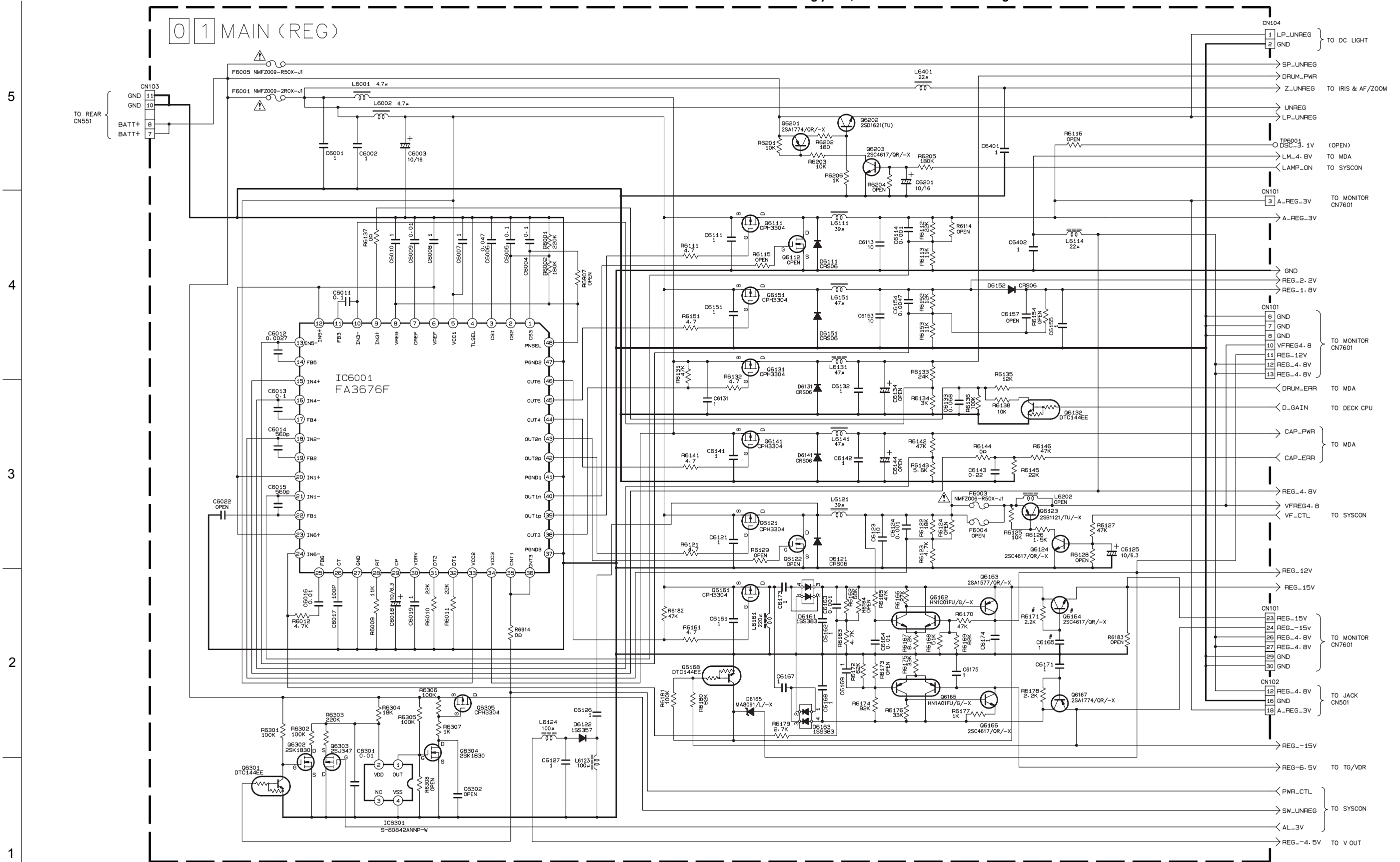
4.13 TG/VDR SCHEMATIC DIAGRAM

NOTES: ● For the destination of each signal and further line connections that are cut off from this diagram, refer to "4.1 BOARD INTERCONNECTIONS".
 ● When ordering parts, be sure to order according to the Part Number indicated in the Parts List.



4.14 REGULATOR SCHEMATIC DIAGRAM

NOTES: ● For the destination of each signal and further line connections that are cut off from this diagram, refer to "4.1 BOARD INTERCONNECTIONS".
 ● When ordering parts, be sure to order according to the Part Number indicated in the Parts List.



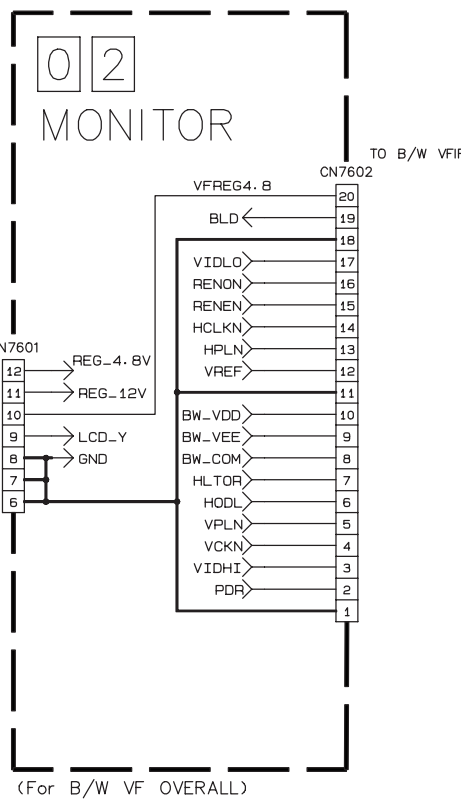
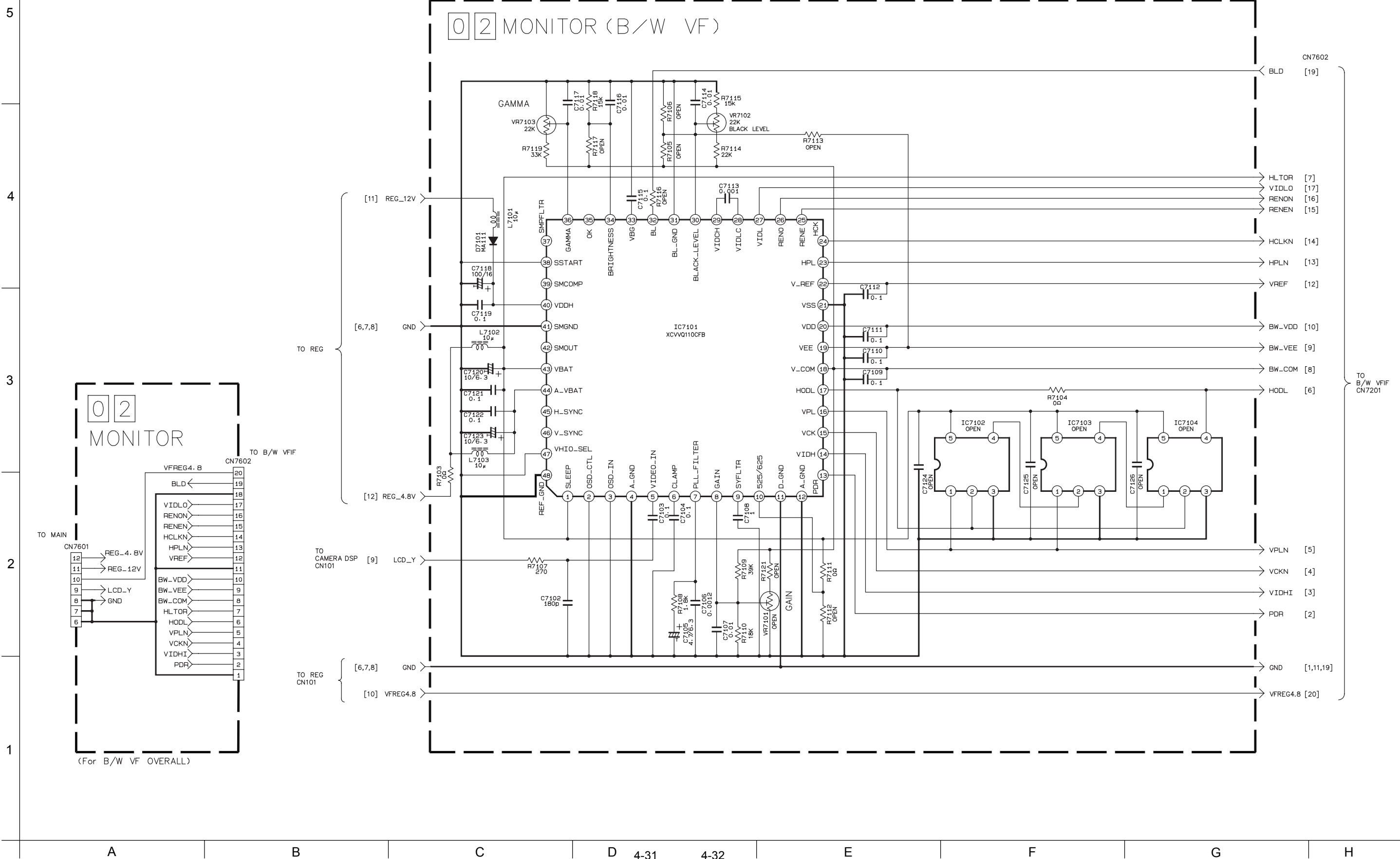
NOTE : COMPARISON CHART OF MODELS & MARKS (#).

REF. NO	Q6164	R6171	C6165
GR-DVL108/DVL109	USED	USED	USED
GR-DVL308/DVL309	OPEN	OPEN	OPEN

4.15 B/W VF SCHEMATIC DIAGRAM

(FOR DVL108/DVL109)

NOTES: ● For the destination of each signal and further line connections that are cut off from this diagram, refer to "4.1 BOARD INTERCONNECTIONS".
● When ordering parts, be sure to order according to the Part Number indicated in the Parts List.

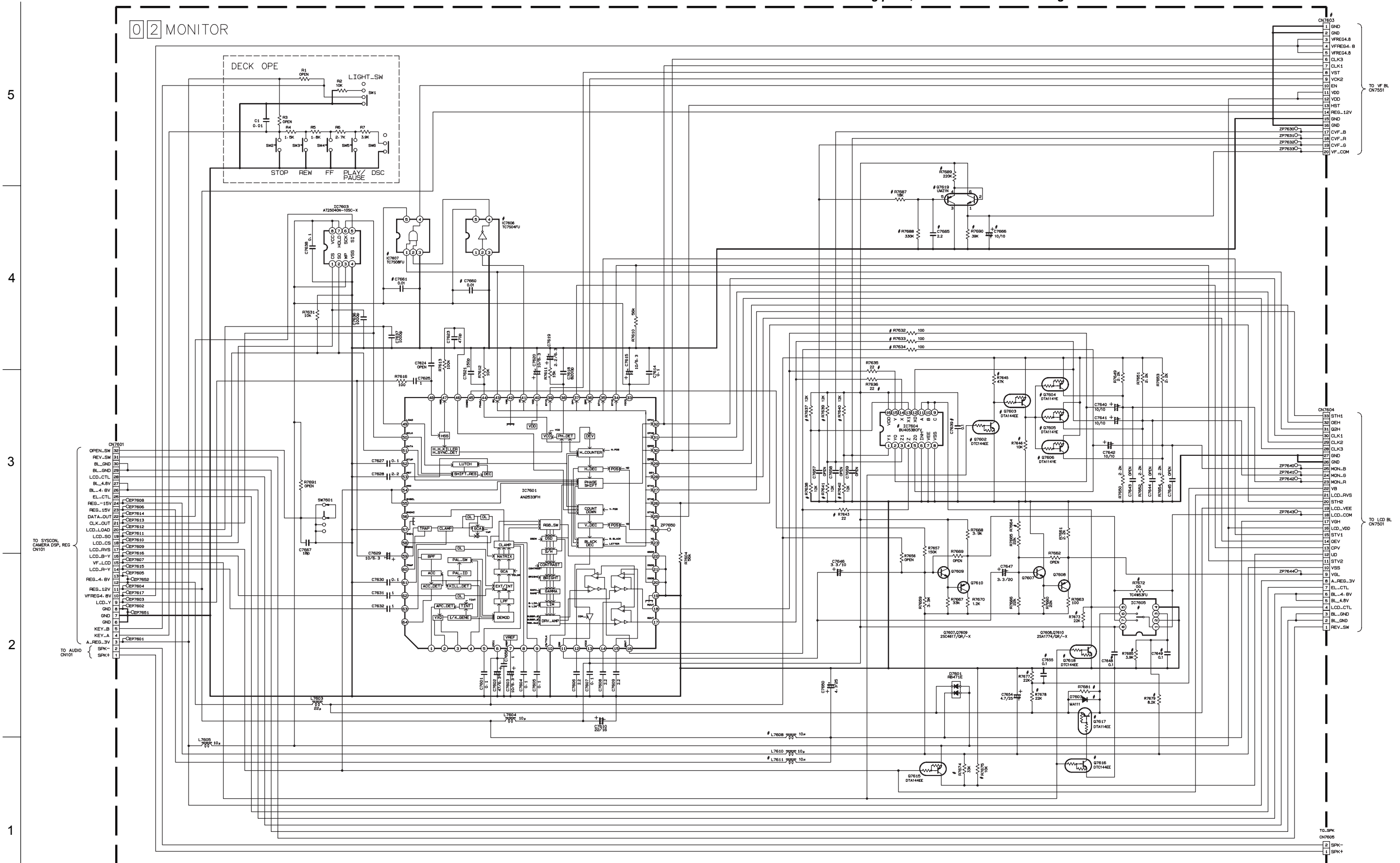


5
4
3
2
1

A B C D 4-31 4-32 E F G H

4.16 MONITOR SCHEMATIC DIAGRAM

NOTES: ● For the destination of each signal and further line connections that are cut off from this diagram, refer to "4.1 BOARD INTERCONNECTIONS".
 ● When ordering parts, be sure to order according to the Part Number indicated in the Parts List.

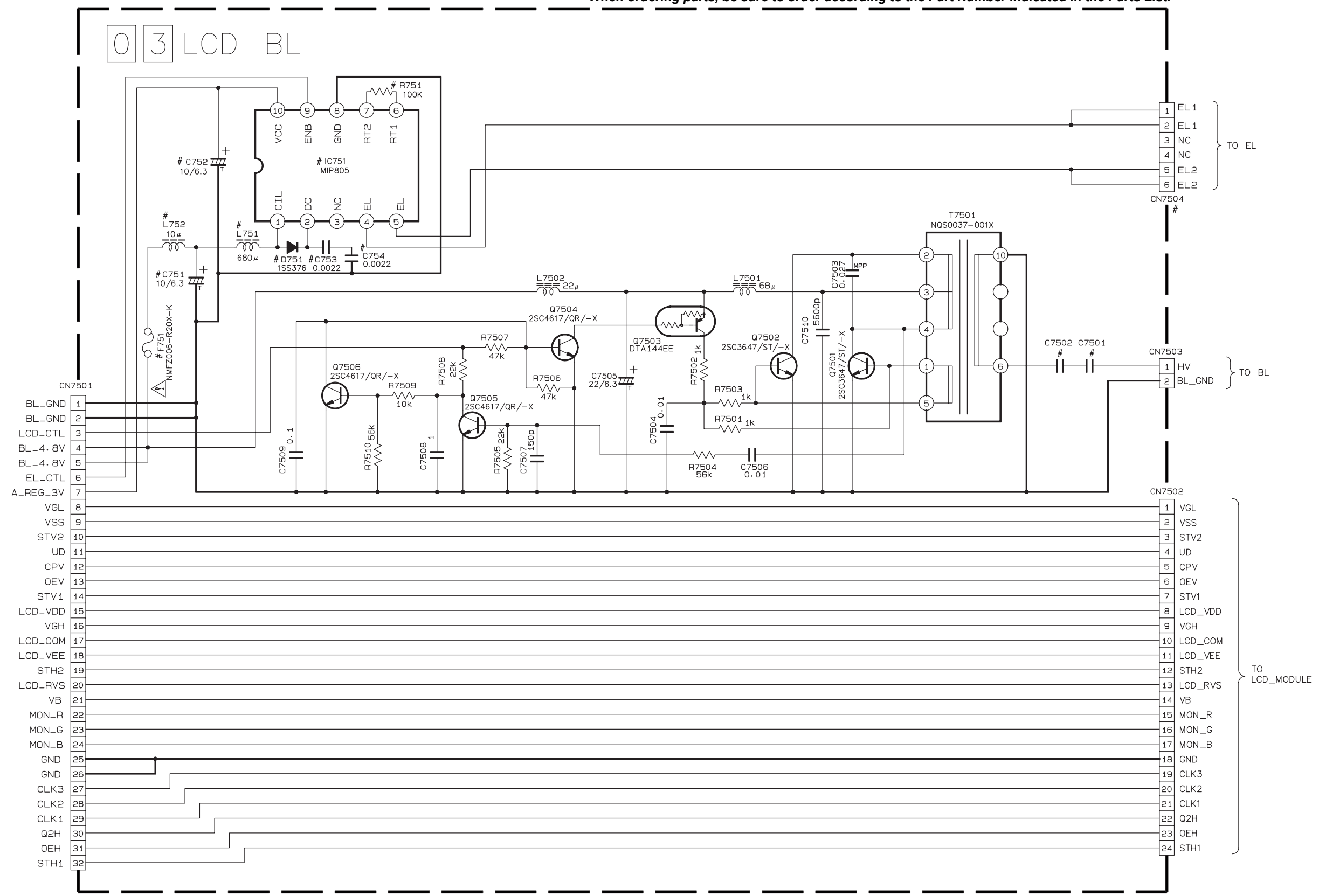


NOTE: COMPARISON CHART OF MODELS & MARKS (#).

REF. NO	IC7604	Q7602	Q7616	D7603	R7632	R7635	R7645	R7664	R7672	R7673	R7674	R7675	R7677	R7681	R7685,	C7639	C7655,C7660	L7608	L7611	CN7603
GR-DV108/DV109	OPEN	OPEN	OPEN	OPEN	USED	OPEN	OPEN	OPEN	OPEN	OPEN	OPEN	OPEN	OPEN	OPEN	OPEN	OPEN	OPEN	OPEN	OPEN	OPEN
GR-DV308/DV309	USED	USED	USED	USED	OPEN	USED	OPEN	6.8K	OPEN	USED	OPEN	USED	OPEN	3.30	USED	USED	USED	USED	OPEN	USED

4.17 LCD BL SCHEMATIC DIAGRAM

NOTES: ● For the destination of each signal and further line connections that are cut off from this diagram, refer to "4.1 BOARD INTERCONNECTIONS".
● When ordering parts, be sure to order according to the Part Number indicated in the Parts List.



NOTE : COMPARISON CHART OF MODELS & MARKS (#) .

REF. NO MODELS	IC751	D751	R751	C751 ~ C754	C7501 C7502	L751 L752	CN7504	F751
GR-DVL108/DVL109	OPEN	OPEN	OPEN	OPEN	15P	OPEN	OPEN	OPEN
GR-DVL308/DVL309	USED	USED	USED	USED	18P	USED	USED	USED

5
4
3
2
1

TO MONITOR
CN7604

TO EL

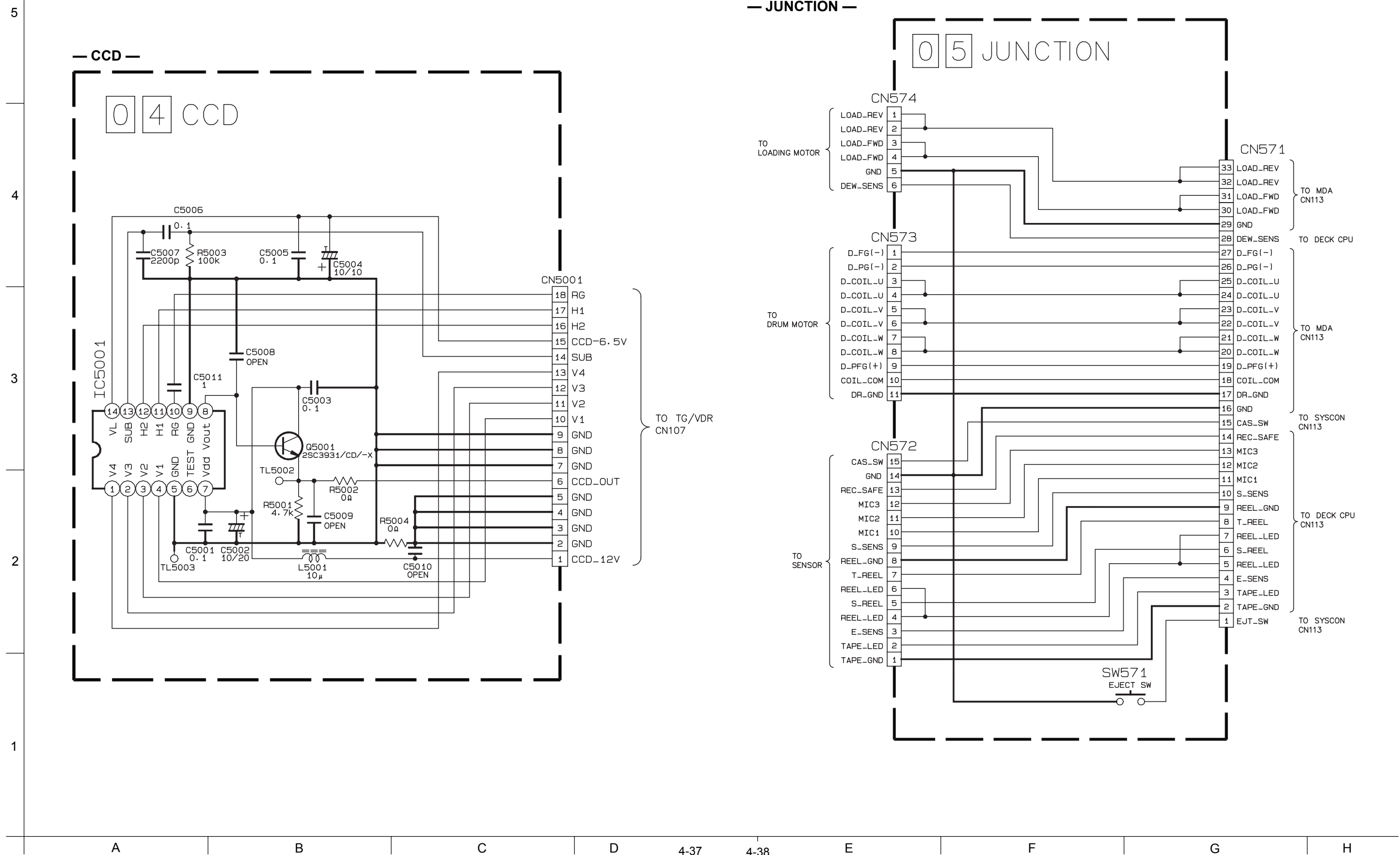
TO BL

TO LCD_MODULE

A B C D 4-35 4-36 E F G H

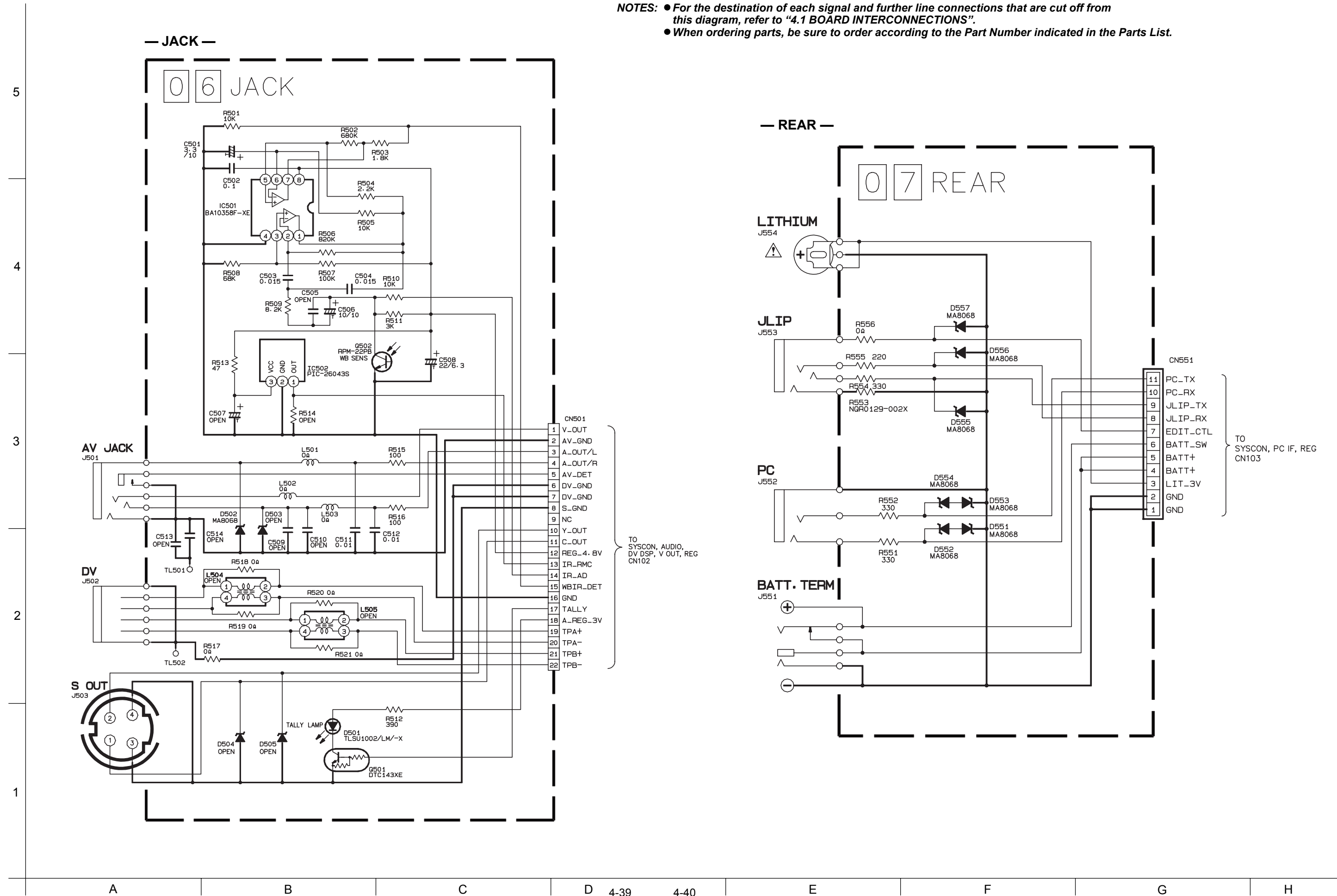
4.18 CCD AND JUNCTION SCHEMATIC DIAGRAMS

NOTES: ● For the destination of each signal and further line connections that are cut off from this diagram, refer to "4.1 BOARD INTERCONNECTIONS".
 ● When ordering parts, be sure to order according to the Part Number indicated in the Parts List.



4.19 JACK AND REAR SCHEMATIC DIAGRAMS

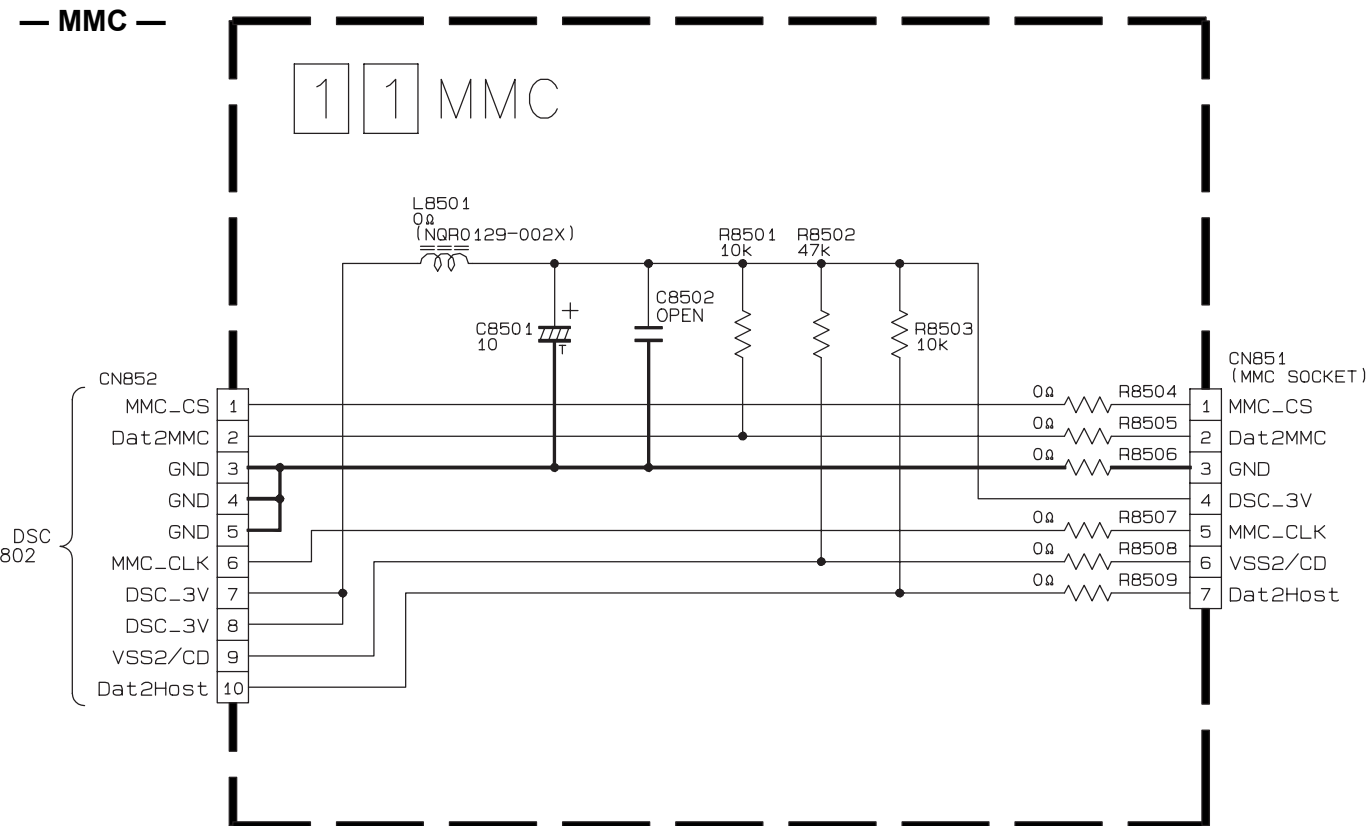
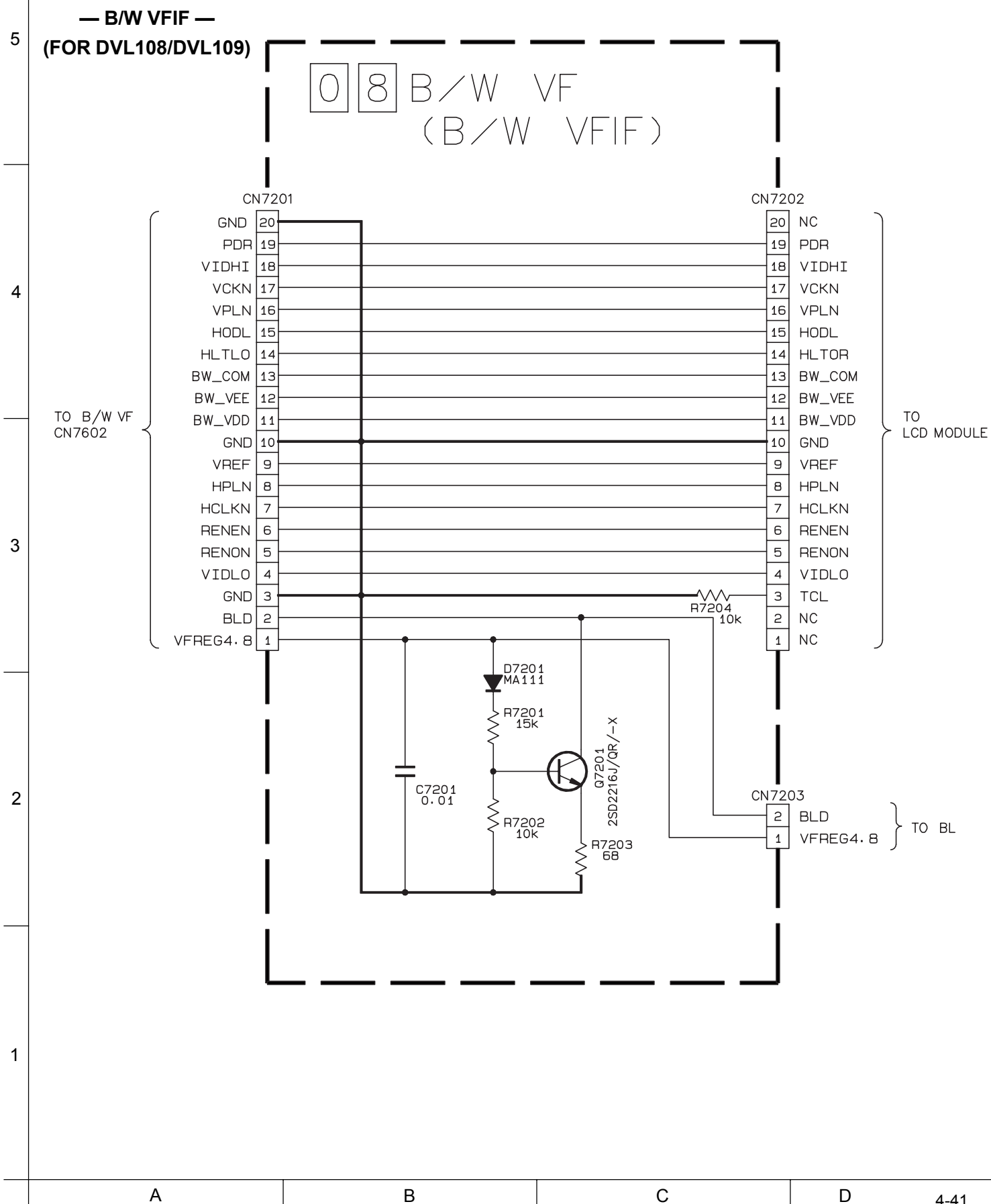
NOTES: ● For the destination of each signal and further line connections that are cut off from this diagram, refer to "4.1 BOARD INTERCONNECTIONS".
 ● When ordering parts, be sure to order according to the Part Number indicated in the Parts List.



4.20 B/W VFIF, MMC AND ZOOM UNIT SCHEMATIC DIAGRAMS

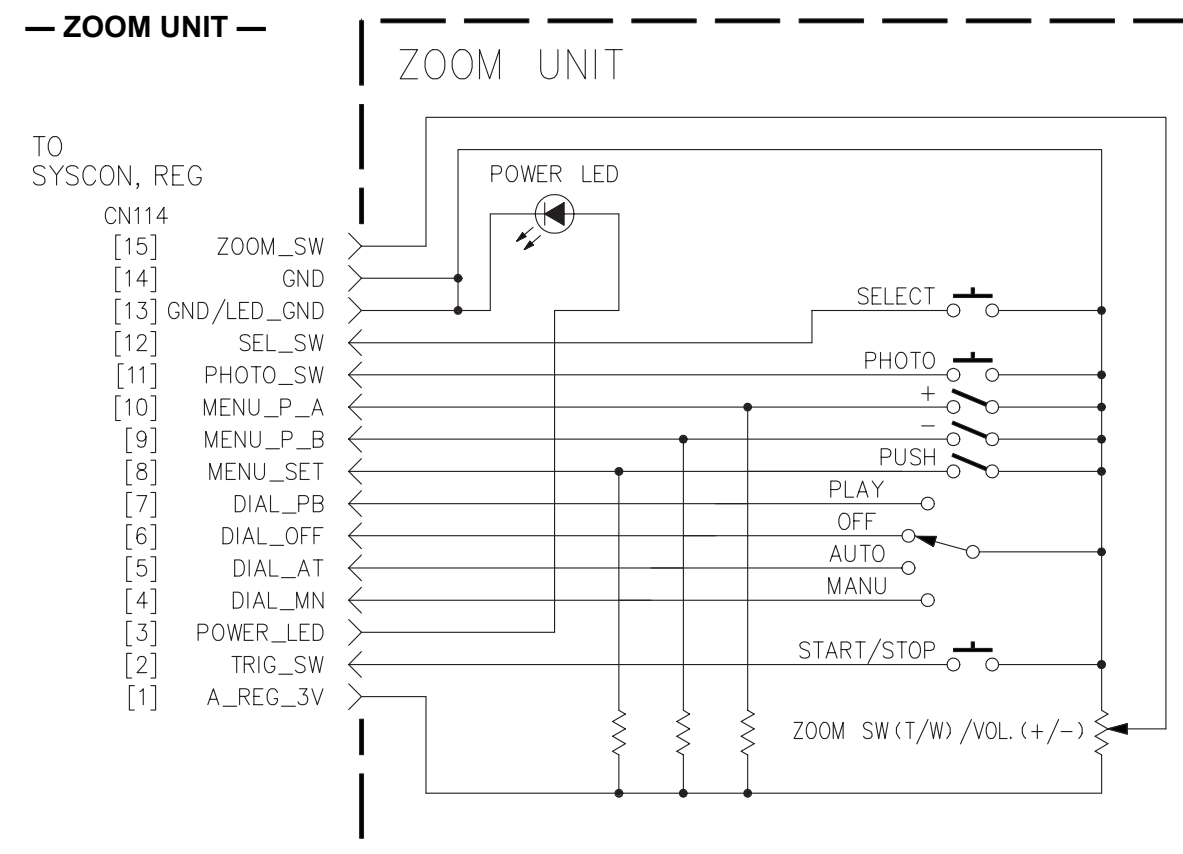
NOTES:

- For the destination of each signal and further line connections that are cut off from this diagram, refer to "4.1 BOARD INTERCONNECTIONS".
- When ordering parts, be sure to order according to the Part Number indicated in the Parts List.



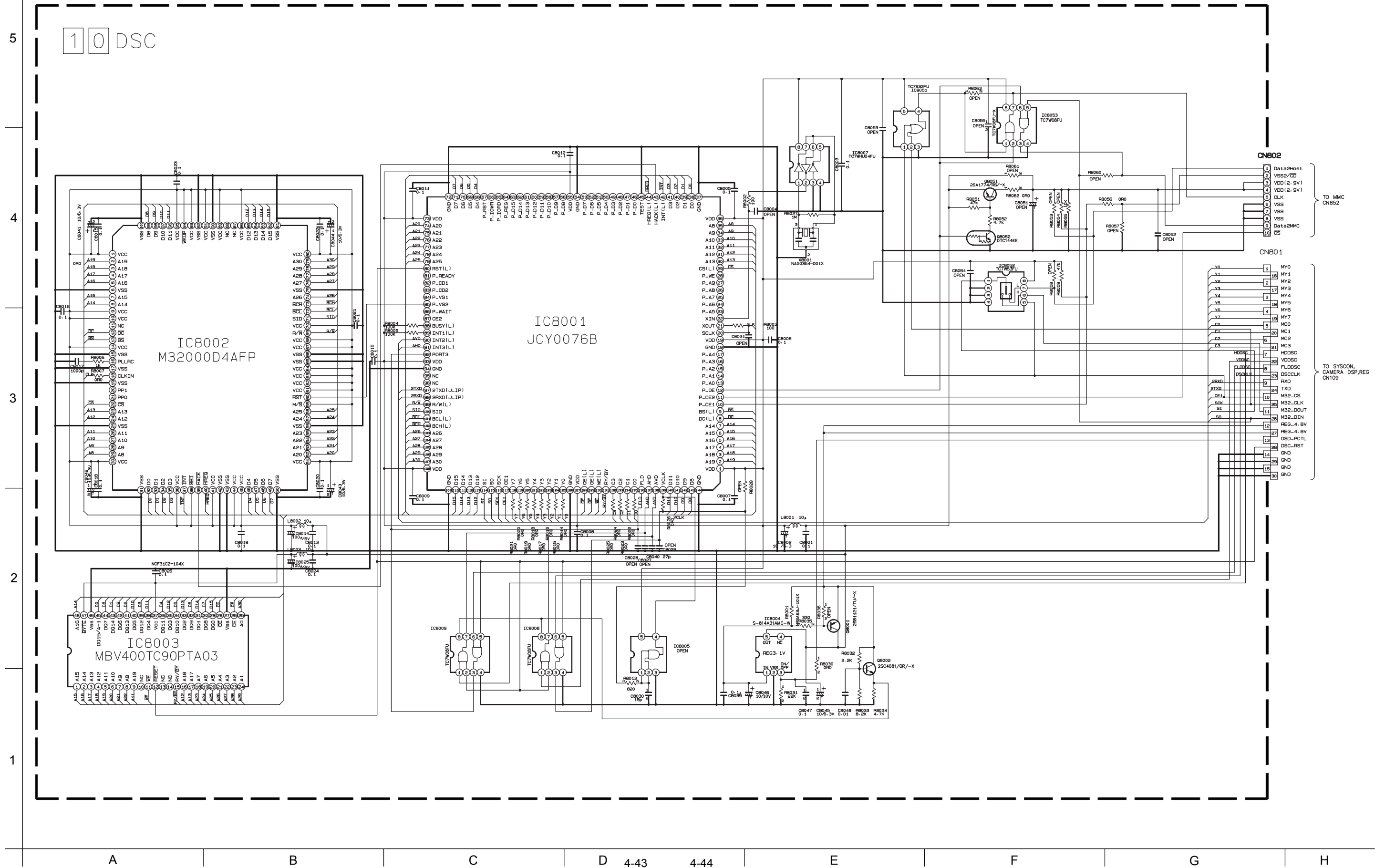
NOTES:

- For the destination of each signal and further line connections that are cut off from this diagram, refer to "4.1 BOARD INTERCONNECTIONS".
- The schematic diagram is only for reference. Avoid replacing individual parts. Replace the entire unit only.



4.21 DSC SCHEMATIC DIAGRAM

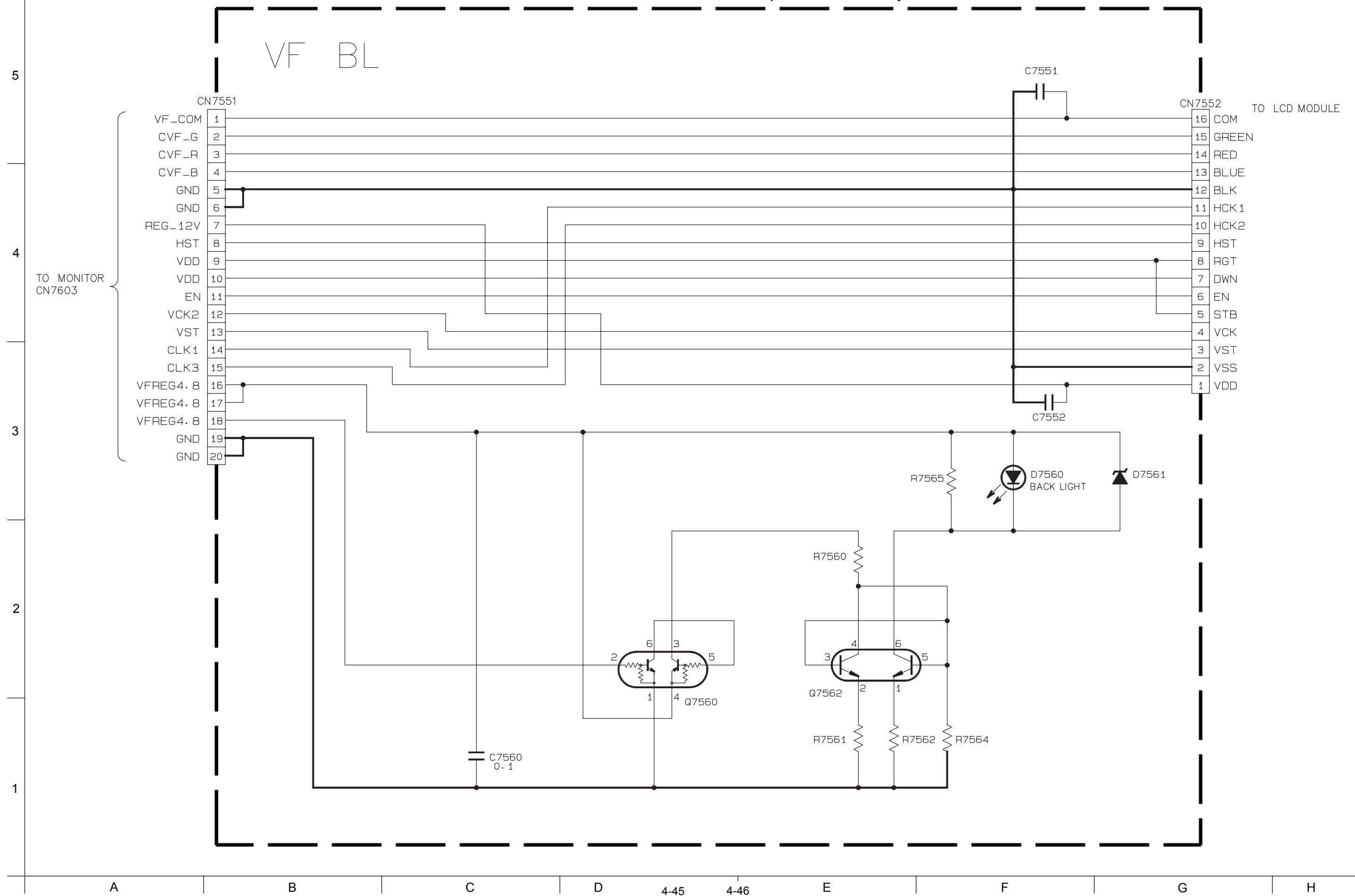
NOTES: ● For the destination of each signal and further line connections that are cut off from this diagram, refer to "4.1 BOARD INTERCONNECTIONS".
 ● When ordering parts, be sure to order according to the Part Number indicated in the Parts List.



4.22 VF BL SCHEMATIC DIAGRAM

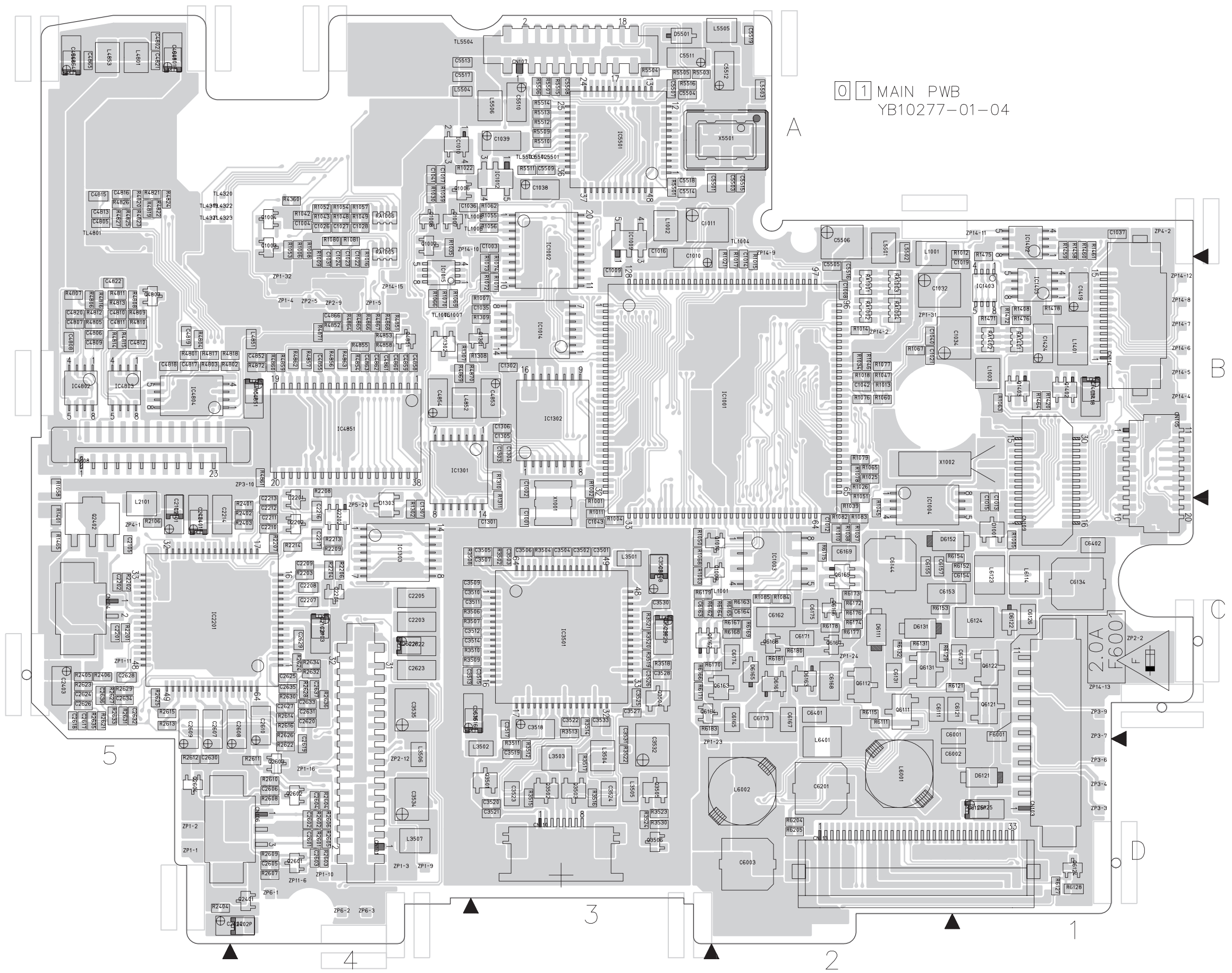
NOTES: ● For the destination of each signal and further line connections that are cut off from this diagram, refer to "4.1 BOARD INTERCONNECTIONS".
 ● The schematic diagram is only for reference. Avoid replacing individual parts. Replace the entire unit only.

(FOR DVL308/DVL309)



4.23 MAIN CIRCUIT BOARD

FOIL SIDE (B)



1 MAIN PWB
YB10277-01-04

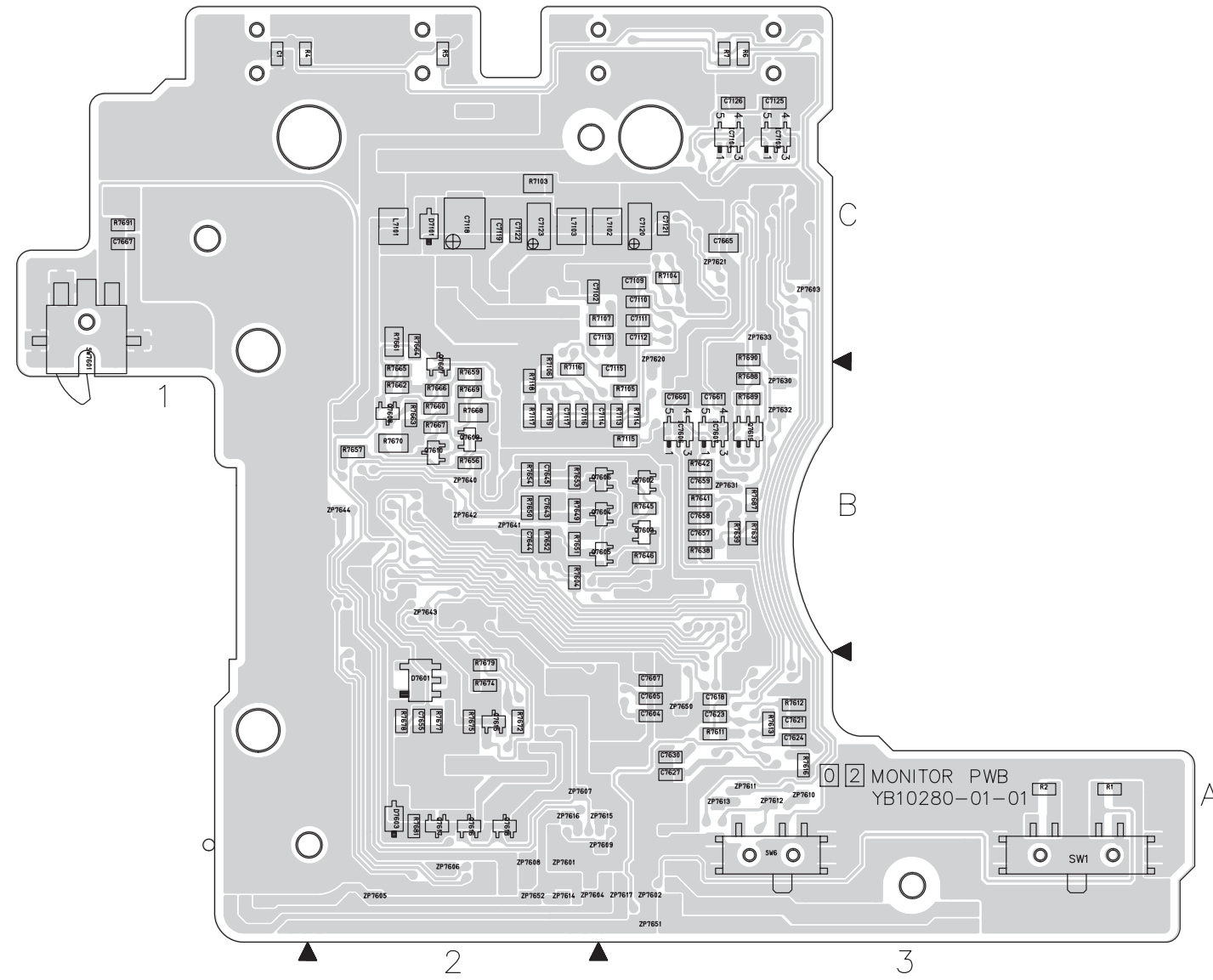
COMPONENT PARTS LOCATION GUIDE (MAIN)

REF.No.	LOCATION			REF.No.	LOCATION			REF.No.	LOCATION			REF.No.	LOCATION			REF.No.	LOCATION								
CAPACITOR																									
C1001	B	C	3C	C2606	B	C	4D	C3502	B	C	3C	C4803	A	C	5A	CN103	B	C	1D	L3701	A	C	5A		
C1002	B	C	3B	C2607	B	C	5C	C3503	B	C	3C	C4804	A	C	5A	CN104	B	C	5C	L3702	A	C	5B		
C1003	B	C	3A	C2608	B	C	4C	C3504	B	C	3C	C4805	A	C	5A	CN105	B	C	1B	L4201	A	C	5A		
C1004	B	C	4A	C2610	B	C	4C	C3505	B	C	3C	C4806	A	C	5B	CN106	B	C	4D	L4301	A	C	3B		
C1008	B	C	2B	C2617	B	C	5C	C3506	B	C	3C	C4807	B	C	5B	CN107	B	C	3B	L4302	A	C	5B		
C1009	B	C	3B	C2618	B	C	5C	C3507	B	C	3C	C4808	B	C	5B	CN108	B	C	5A	L4303	A	C	3A		
C1010	B	C	3B	C2619	B	C	4D	C3508	B	C	3C	C4809	B	C	5B	CN109	B	C	3C	L4304	A	C	5B		
C1011	B	C	3A	C2620	B	C	4C	C3509	B	C	3C	C4810	B	C	5B	CN110	B	C	1D	L4305	A	C	2A		
C1012	B	C	2C	C2622	B	C	4C	C3510	B	C	3C	C4811	B	C	5B	CN111	A	C	5B	L4306	A	C	3B		
C1013	B	C	1C	C2623	B	C	4C	C3511	B	C	3C	C4812	B	C	5B	CN112	A	C	1D	L4307	A	C	3A		
C1014	B	C	1C	C2624	B	C	5C	C3512	B	C	3C	C4813	B	C	5A	CN113	B	C	2B	L4801	A	C	5A		
C1015	B	C	1C	C2625	B	C	4C	C3513	B	C	4C	C4814	A	C	5A	CN114	B	C	1B	L4802	A	C	5A		
C1016	B	C	3A	C2626	B	C	5C	C3514	B	C	3C	C4815	B	C	5A	DIODE									
C1017	B	C	4A	C2627	B	C	4C	C3515	B	C	3C	C4816	B	C	5B	D1001	B	C	1C	L4851	A	C	4B		
C1019	B	C	1B	C2628	B	C	5C	C3516	B	C	3C	C4817	B	C	5B	D1302	B	C	4C	L4852	B	C	4B		
C1021	B	C	2B	C2629	B	C	4C	C3517	B	C	3C	C4818	B	C	5B	D1303	B	C	4B	L4853	B	C	5A		
C1022	B	C	4B	C2630	B	C	5D	C3518	B	C	3C	C4819	B	C	5B	D1602	A	C	1C	L5501	B	C	2A		
C1023	B	C	4B	C2631	B	C	4C	C3519	B	C	3D	C4820	B	C	5B	D1603	A	C	2B	L5502	B	C	2A		
C1024	B	C	4B	C2632	B	C	5C	C3520	B	C	3D	C4821	B	C	5B	D1604	A	C	1B	L5503	B	C	2A		
C1026	B	C	4A	C2633	B	C	4C	C3521	B	C	3C	C4822	B	C	5B	D2201	B	C	4C	L5504	B	C	3A		
C1027	B	C	4A	C2634	B	C	5C	C3522	B	C	3C	C4851	B	C	4B	D2202	B	C	4C	L5505	B	C	2A		
C1028	B	C	4A	C2635	B	C	4C	C3523	B	C	3D	C4852	B	C	4B	D5501	B	C	3A	L6001	B	C	2D		
C1031	B	C	4B	C2636	B	C	5C	C3524	B	C	3D	C4853	B	C	3B	D6111	B	C	2C	L6002	B	C	2D		
C1032	B	C	2B	C2637	B	C	4C	C3525	B	C	3C	C4854	B	C	4B	D6121	B	C	1C	L6111	A	C	1C		
C1034	B	C	1B	C3001	A	C	3B	C3526	B	C	3C	C4855	B	C	4B	D6122	B	C	1C	L6114	A	C	1C		
C1035	B	C	3B	C3002	A	C	3B	C3527	B	C	3C	C4858	B	C	4B	D6131	B	C	2C	L6121	A	C	1D		
C1036	B	C	4A	C3003	A	C	3B	C3528	B	C	3C	C4859	B	C	4B	D6141	A	C	1C	L6123	B	C	1C		
C1037	B	C	1A	C3004	A	C	3B	C3529	B	C	3C	C4860	B	C	4B	D6151	A	C	1B	L6124	A	C	1C		
C1038	B	C	3A	C3005	A	C	3B	C3530	B	C	3C	C4861	B	C	4B	D6161	B	C	2C	L6131	A	C	1C		
C1039	B	C	3A	C3006	A	C	3C	C3531	B	C	3C	C4862	B	C	4B	D6162	B	C	2C	L6141	A	C	1C		
C1040	B	C	2B	C3007	A	C	4C	C3532	B	C	3D	C4863	B	C	4B	D6163	B	C	2C	L6151	A	C	2C		
C1041	B	C	4A	C3009	A	C	4B	C3533	B	C	3C	C4864	B	C	5A	D6165	B	C	2C	L6161	A	C	1C		
C1042	B	C	2B	C3010	A	C	4B	C3534	B	C	4C	C4865	B	C	5A	FUSE									
C1043	B	C	3C	C3011	A	C	4B	C3535	B	C	4C	C4866	B	C	4B	F6001	B	C	1C	TRANSISTOR					
C1301	B	C	3C	C3012	A	C	4B	C3701	A	C	5A	C5501	B	C	3A	F6003	A	C	1C	Q1002	B	C	4A		
C1302	B	C	3B	C3022	A	C	3B	C3702	A	C	5A	C5502	B	C	3A	F6004	A	C	1C	Q1003	B	C	4A		
C1303	B	C	3B	C3023	A	C	4B	C3703	A	C	5B	C5503	B	C	2B	F6005	A	C	2D	Q1004	B	C	4A		
C1304	B	C	3B	C3027	A	C	4C	C3704	A	C	5A	C5504	B	C	2A	IC									
C1305	B	C	3B	C3028	A	C	4C	C3705	A	C	5A	C5505	B	C	2A	IC1001	B	C	2B	Q1006	B	C	4A		
C1306	B	C	4A	C3033	A	C	4B	C3706	A	C	5B	C5506	B	C	3A	IC1002	B	C	3A	Q1007	B	C	4A		
C1307	B	C	1A	C3034	A	C	4B	C3707	A	C	5B	C5507	B	C	3A	IC1003	B	C	2C	Q1008	B	C	4A		
C1308	B	C	3A	C3035	A	C	4B	C3708	A	C	5A	C5508	B	C	3A	IC1004	B	C	2C	Q1009	B	C	2C		
C1401	A	C	2B	C3038	A	C	4C	C3709	A	C	5B	C5509	B	C	3A	IC1005	B	C	2C	Q1010	B	C	2C		
C1402	A	C	2B	C3040	A	C	4B	C3710	A	C	5B	C5510	B	C	3A	IC1006	B	C	2C	Q1301	B	C	3B		
C1411	A	C	2B	C3041	A	C	4B	C3711	A	C	5B	C5511	B	C	3A	IC1007	B	C	2C	Q1401	A	C	2B		
C1412	A	C	2B	C3042	A	C	4B	C3712	A	C	5B	C5512	B	C	3A	IC1008	B	C	2C	Q1402	B	C	1B		
C1413	A	C	2B	C3047	A	C	4C	C3713	A	C	5B	C5513	B	C	3A	IC1009	B	C	3A	Q1403	B	C	1B		
C1414	A	C	2B	C3048	A	C	4C	C3714	A	C	5B	C5514	B	C	3A	IC1010	B	C	4A	Q1601	A	C	2B		
C1415	A	C	2B	C3049	A	C	4B	C4201	A	C	5A	C5515	B	C	2B	IC1011	B	C	3A	Q2201	B	C	4C		
C1416	A	C	2B	C3050	A	C	4B	C4202	A	C	5A	C5516	B	C	4A	IC1012	B	C	3B	Q2202	B	C	4C		
C1417	A	C	2B	C3101	A	C	5C	C4203	A	C	5A	C5517	B	C	4A	IC1013	B	C	3B	Q2401	B	C	4C		
C1418	B	C	1B	C3102	A	C	5C	C4204	A	C	5A	C5518	B	C	3A	IC1301	B	C	4B	Q2402	B	C	4C		
C1419	B	C	1B	C3103	A	C	5C	C4205	A	C	5A	C5519	B	C	2A	IC1302	B	C	3B	Q2601	B	C	4D		
C1420	A	C	3A	C3104	A	C	5C	C4206	A	C	5A	C5601	A	C	2B	IC1303	B	C	4C	Q2602	B	C	4D		
C1421	A	C	3A	C3105	A	C	5C	C4207	A	C	5A	C5602	A	C	2B	IC1401	A	C	2C	Q2603	B	C	4D		
C1422	A	C	3B	C3106	A	C	5C	C4208	A	C	5A	C6001	B	C	1C	IC1402	B	C	1A	Q2604	B	C	5D		
C1423	A	C	3B	C3107	A	C	5C	C4209	A	C	4A	C6002	B	C	1D	IC1403	B	C	1B	Q3501	B	C	3D		
C1424	B	C	1B	C3108	A	C	5C	C4210	A	C	5A	C6003	B	C	2D	IC1404	B	C	1B	Q3502	B	C	3D		
C1425	A	C	3B	C3109	A	C	5C	C4211	A	C	5A	C6004	A	C	2D	IC1601	A	C	1B	Q3503	B	C	3D		
C1601	A	C	1B	C3203	A	C	3C	C4212	A	C	5A	C6005	A	C	2D	IC2201	B	C	5C	Q3504	B	C	3D		
C1602	A	C	1B	C3204	A	C	3C	C4213	A	C	5A	C6006	A	C	2D	IC3001	A	C	4B	Q3505	B	C	3D		
C1603	A	C	1B	C3205	A	C	3C	C4214	A	C	5A	C6007	A	C	2D	IC3002	A	C	4C	Q3506	B	C	3D		
C1605	A	C	1A	C3207	A	C	3C	C4215	A	C	4A	C6008	A	C	2D	IC3003	A	C	4C	Q3701	A	C	5A		
C1606	A	C	1B	C3208	A	C	3C	C4216	A	C	5A	C6009	A	C	2D	IC3004	A	C	3B	Q3702	A	C	5B		
C1607	A	C	1B	C3211	A	C	3C	C4217	A	C	4A	C6010	A	C	2D	IC3005	A	C	4B	Q3703	A	C	5B		
C1610	A	C	1A	C3212	A	C	3C	C4218	A	C	5A	C6011	A												

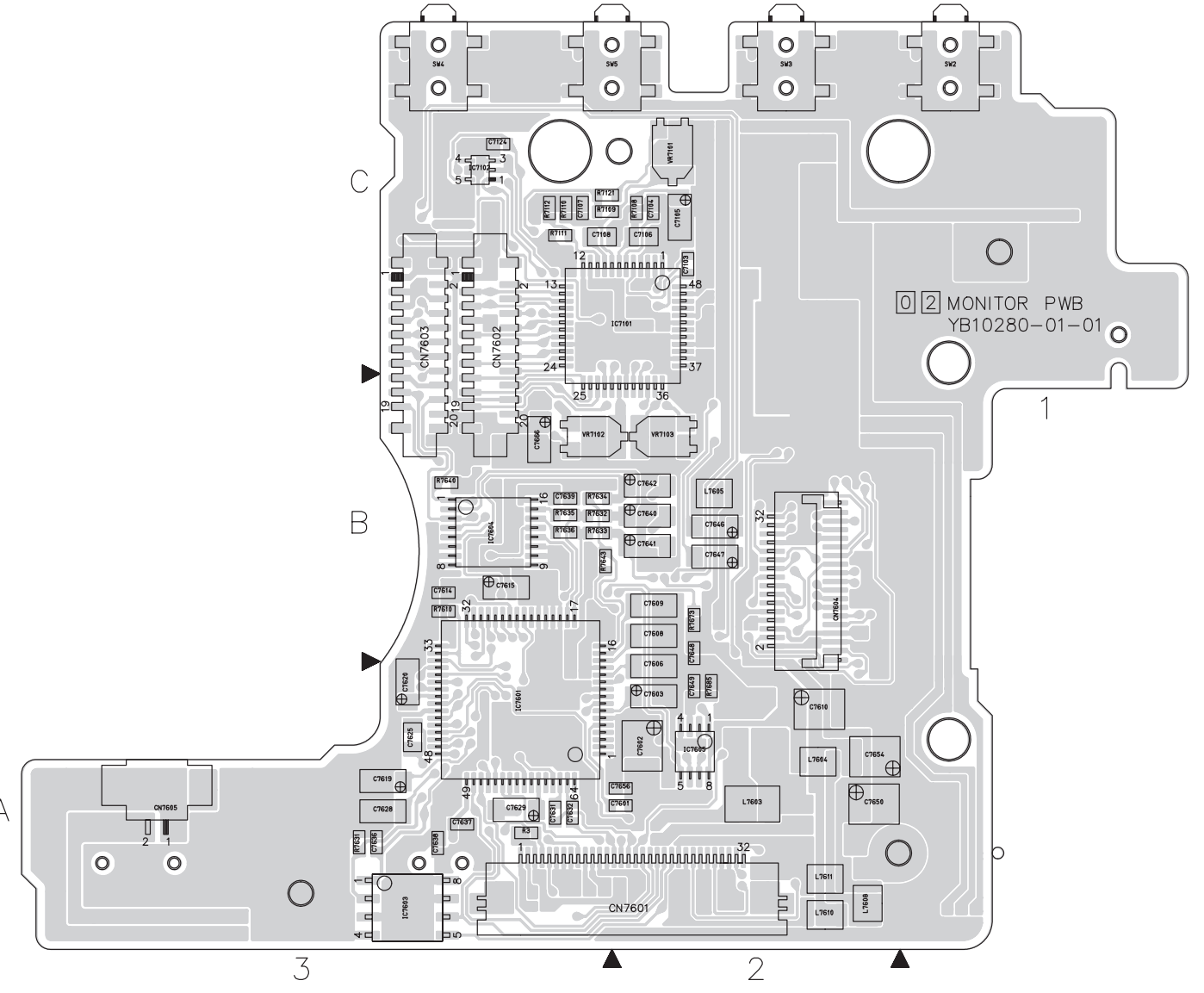
REF.No.	LOCATION	REF.No.	LOCATION	REF.No.	LOCATION	REF.No.	LOCATION	REF.No.	LOCATION	REF.No.	LOCATION
R1011	B	C	3C	R1611	A	C	2D	R3224	A	C	2B
R1012	B	C	1A	R1612	A	C	1B	R3233	A	C	3D
R1013	B	C	2B	R1613	A	C	1B	R3234	A	A	4D
R1014	B	C	2B	R1614	A	C	1B	R3236	A	A	4D
R1015	B	C	2B	R1615	A	C	1B	R3237	A	A	3D
R1016	B	C	4B	R1616	A	C	1B	R3301	A	A	4D
R1017	B	C	2B	R1617	A	C	1B	R3303	A	A	4D
R1018	B	C	2B	R1618	A	C	1B	R3304	A	A	4D
R1021	B	C	2B	R1619	A	C	1B	R3307	A	A	4D
R1022	B	C	4A	R1620	A	C	1A	R3308	A	A	4D
R1025	B	C	2B	R1621	A	C	1A	R3309	A	A	4D
R1026	B	C	2B	R1622	A	C	1C	R3310	A	A	4D
R1030	B	C	4A	R1624	A	C	1A	R3312	A	A	4D
R1034	B	C	2B	R1625	A	C	1B	R3313	A	A	4D
R1035	B	C	4A	R1626	A	C	1B	R3314	A	A	4D
R1037	B	C	2C	R1627	A	C	1B	R3315	A	A	4D
R1038	B	C	2C	R1628	A	C	1B	R3316	A	A	4D
R1039	B	C	2C	R1629	A	C	1B	R3317	A	A	4D
R1042	B	C	4A	R1630	A	C	2B	R3318	A	A	4D
R1043	B	C	4A	R1631	A	C	2B	R3319	A	A	4D
R1045	B	C	2C	R1635	A	C	2B	R3330	A	A	4D
R1046	B	C	2B	R1636	A	C	2B	R3331	A	A	4D
R1047	B	C	2B	R1637	A	C	2B	R3332	A	A	4D
R1048	B	C	4A	R1638	A	C	1B	R3333	A	A	4D
R1049	B	C	4A	R1639	A	C	1B	R3334	A	A	4D
R1050	B	C	3C	R1640	A	C	1B	R3335	A	A	4D
R1051	B	C	2C	R1641	A	C	1A	R3336	A	A	4D
R1052	B	C	4A	R1643	A	C	1A	R3337	A	A	4D
R1053	B	C	4A	R1644	A	C	1B	R3338	A	A	4D
R1054	B	C	4A	R1645	A	C	1B	R3339	A	A	4D
R1055	B	C	3A	R1646	A	C	1B	R3341	A	A	3C
R1056	B	C	3A	R2106	B	C	5C	R3343	A	A	3C
R1057	B	C	4A	R2201	B	C	5C	R3344	A	A	3D
R1058	B	C	5B	R2202	B	C	5C	R3345	A	A	3D
R1059	B	C	4A	R2203	B	C	4C	R3346	A	A	3D
R1060	B	C	2B	R2204	B	C	4C	R3347	A	A	3C
R1062	B	C	3A	R2206	B	C	4C	R3348	A	A	3C
R1063	B	C	1B	R2207	B	C	4C	R3349	A	A	3C
R1065	B	C	2B	R2208	B	C	4C	R3350	A	A	3C
R1066	B	C	4B	R2209	B	C	4C	R3351	A	A	3D
R1067	B	C	2B	R2213	B	C	4C	R3352	A	A	3D
R1068	B	C	3C	R2214	B	C	4C	R3353	A	A	3D
R1069	B	C	4B	R2401	B	C	4C	R3354	A	A	3D
R1070	B	C	4B	R2402	B	C	4C	R3362	A	A	3D
R1071	B	C	3B	R2403	B	C	4C	R3363	A	A	3D
R1072	B	C	3B	R2404	B	C	5D	R3364	A	A	3D
R1073	B	C	3B	R2405	B	C	5C	R3365	A	A	3D
R1074	B	C	3B	R2406	B	C	5C	R3366	A	A	3D
R1076	B	C	2B	R2601	B	C	4D	R3367	A	A	4D
R1077	B	C	2B	R2602	B	C	4D	R3379	A	A	4D
R1078	B	C	2B	R2603	B	C	4D	R3380	A	A	3D
R1079	B	C	2B	R2604	B	C	4D	R3502	B	C	3C
R1080	B	C	4A	R2605	B	C	4D	R3504	B	C	3C
R1081	B	C	4A	R2606	B	C	4D	R3506	B	C	3C
R1082	B	C	2C	R2607	B	C	4D	R3507	B	C	4C
R1083	B	C	2C	R2608	B	C	4D	R3508	B	C	4C
R1084	B	C	2C	R2609	B	C	4D	R3509	B	C	3C
R1085	B	C	2C	R2610	B	C	4D	R3510	B	C	3C
R1302	B	C	4C	R2611	B	C	4D	R3511	B	C	3D
R1307	B	C	4B	R2612	B	C	5D	R3512	B	C	3D
R1308	B	C	3B	R2613	B	C	5C	R3513	B	C	3C
R1309	B	C	3B	R2614	B	C	4C	R3514	B	C	3C
R1310	B	C	3B	R2615	B	C	5C	R3515	B	C	3D
R1311	B	C	3C	R2616	B	C	4C	R3516	B	C	3D
R1401	B	C	5C	R2621	B	C	5C	R3517	B	C	3D
R1408	B	C	1B	R2622	B	C	4D	R3518	B	C	3C
R1410	A	C	2B	R2623	B	C	5C	R3519	B	C	3C
R1412	A	C	2B	R2624	B	C	4C	R3520	B	C	3C
R1413	A	C	3B	R2625	B	C	5C	R3521	B	C	3C
R1414	A	C	3B	R2626	B	C	4C	R3522	B	C	3D
R1415	A	C	2B	R2627	B	C	4C	R3523	B	C	3D
R1420	B	C	1B	R2628	B	C	5C	R3524	B	C	3D
R1427	A	C	2B	R2629	B	C	4C	R3525	B	C	3D
R1428	A	C	2B	R2630	B	C	4C	R3701	A	C	5A
R1429	A	C	2B	R2631	B	C	5C	R3702	A	C	5A
R1430	A	C	2B	R2632	B	C	4C	R3703	A	C	5A
R1431	A	C	2B	R2633	B	C	5C	R3704	A	C	5A
R1432	A	C	2B	R2634	B	C	4C	R3705	A	C	5B
R1433	A	C	2B	R2635	B	C	5C	R3706	A	C	5A
R1434	A	C	2B	R2636	B	C	4C	R3708	A	C	5B
R1435	A	C	2B	R3002	A	C	4B	R3709	A	C	5B
R1438	A	C	2A	R3005	A	C	3B	R3710	A	C	5B
R1439	A	C	2A	R3006	A	C	3B	R3711	A	C	5B
R1444	A	C	3B	R3007	A	C	4B	R3712	A	C	5B
R1445	A	C	2B	R3008	A	C	3C	R3713	A	C	5A
R1446	A	C	2A	R3030	A	C	3C	R3714	A	C	5A
R1447	A	C	3B	R3031	A	C	3C	R3715	A	C	5A
R1450	A	C	3B	R3032	A	C	3C	R3716	A	C	5B
R1451	A	C	3B	R3047	A	C	4B	R3717	A	C	5B
R1452	A	C	3A	R3052	A	C	4B	R3718	A	C	5B
R1453	A	C	3A	R3054	A	C	4B	R3719	A	C	5B
R1458	B	C	1A	R3055	A	C	4B	R3720	A	C	5B
R1459	B	C	1A	R3056	A	C	4B	R3721	A	C	5B
R1460	B	C	1A	R3057	A	C	4B	R3722	A	C	5B
R1461	B	C	1A	R3058	A	C	4B	R3723	A	C	5B
R1464	B	C	1B	R3059	A	C	4B	R3724	A	C	5B
R1465	A	C	5C	R3060	A	C	3C	R3725	A	C	5B
R1466	A	C	3B	R3062	A	C	4B	R3726	A	C	5B
R1467	A	C	3B	R3063	A	C	4B	R3727	A	C	4B
R1468	A	C	3B	R3101	A	C	5B	R3728	A	C	4B
R1469	A	C	3B	R3102	A	C	5B	R4201	A	C	4A
R1470	B	C	1B	R3103	A	C	5B	R4202	A	C	4A
R1471	B	C	1B	R3105	A	C	4C	R4203	A	C	4A
R1472	B	C	1B	R3106	A	C	4C	R4204	A	C	4A
R1474	A	C	3B	R3113	A	C	4C	R4205	A	C	4A
R1475	B	C	1B	R3115	A	C	5C	R4206	A	C	5A
R1476	B	C	1B	R3117	A	C	5C	R4207	A	C	5A
R1477	A	C	2B	R3118	A	C	5C	R4208	A	C	5A
R1478	B	C	1B	R3119	A	C	5C	R4301	A	C	3A
R1480	A	C	3B	R3120	A	C	5C	R4302	A	C	4A
R1601	A	C	1B	R3121	A	C	4C	R4303	A	C	4A
R1602	A	C	1B	R3128	A	C	5C	R4304	A	C	4A
R1603	A	C	1A	R3201	A	C	3C	R4305	A	C	4A
R1604	A	C	1B	R3202	A	C	3C	R4306	A	C	4A
R1605	A	C	1C	R3211	A	C	2C	R4309	A	C	4B
R1606	A	C	1B	R3212	A	C	2C	R4311	A	C	4B
R1609	A	C	1C	R3215	A	C	3C	R4313	A	C	4B
R1610	A	C	1D	R3221	A	C	3C	R4315	A	C	4B
R4316	A	C	4B	R4317	A	C	4B	R4318	A	C	4B
R4319	A	C	4A	R4320	A	C	4A	R4321	A	C	4A
R4322	A	C	4A	R4323	A	C	4A	R4324	A	C	4A
R4325	A	C	4A	R4326	A	C	4A	R4327	A	C	4A
R4328	A	C	4A	R4329	A	C	4A	R4330	A	C	4A
R4331	A	C	4A	R4332	A	C	4A	R4333	A	C	4B
R4334	A	C	4A	R4335	A	C	4A	R4336	A	C	4B
R4337	A	C	4A	R4338	A	C	4A	R4339	A	C	4A
R4341	A	C	4B	R4342	A	C	4B	R4343	A	C	4B
R4344	A	C	4B	R4345	A	C	4B	R4346	A	C	4B
R4347	A	C	4B	R4348	A	C	4B	R4349	A	C	4B
R4351	A	C	4B	R4352	A	C	4B	R4353	A	C	4B
R4354	A	C	4B	R4355	A	C	4B	R4356	A	C	4B
R4357	A	C	4A	R4358	A	C	4A	R4359	A	C	4A
R4361	A	C	3A	R4362	B	C	3A	R4363	B	C	3A
R4364	B	C	3A	R4365	B	C	3A	R4366	B	C	3A
R4367	B	C	3A	R4368	B	C	3A	R4369	B	C	3A
R4370	B	C	3A	R4371	B	C	3A	R4372	B	C	3A
R4373	B	C	3A	R4374	B	C	3A	R4375	B	C	3A
R4376	B	C	3A	R4377	B	C	3A	R4378	B	C	3A
R4379	B	C	3A	R4380	B	C	3A	R4381	B	C	3A
R4382	B	C	3A	R4383	B	C	3A	R4384	B	C	3A
R4385	B	C	3A	R4386	B	C	3A	R4387	B	C	3A
R4388	B	C	3A	R4389	B	C	3A	R4390	B	C	3A
R4391	B	C	3A	R4392	B	C	3A	R4393	B	C	3A
R4394	B	C	3A	R4395	B	C	3A	R4396	B	C	3A
R4397	B	C	3A	R4398	B	C	3A	R4399	B	C	3A
R4400	B	C	3A	R4401	B	C	3A	R4402	B	C	3A
R4403	B	C	3A	R4404	B	C	3A	R4405	B	C	3A
R4406	B	C	3A	R4407	B						

4.24 MONITOR CIRCUIT BOARD

FOIL SIDE (B)



COMPONENT SIDE (A)

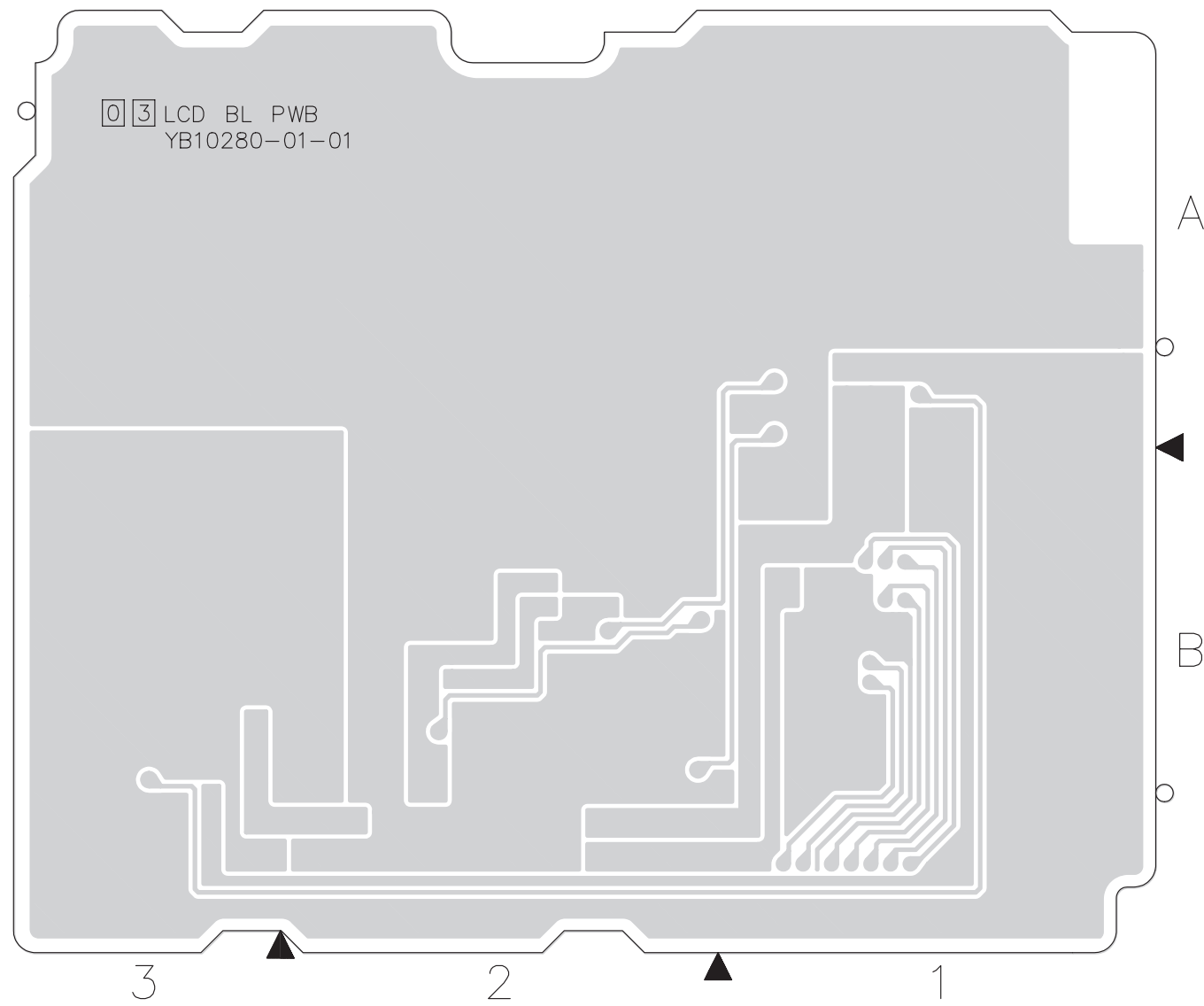


COMPONENT PARTS LOCATION GUIDE (MONITOR)

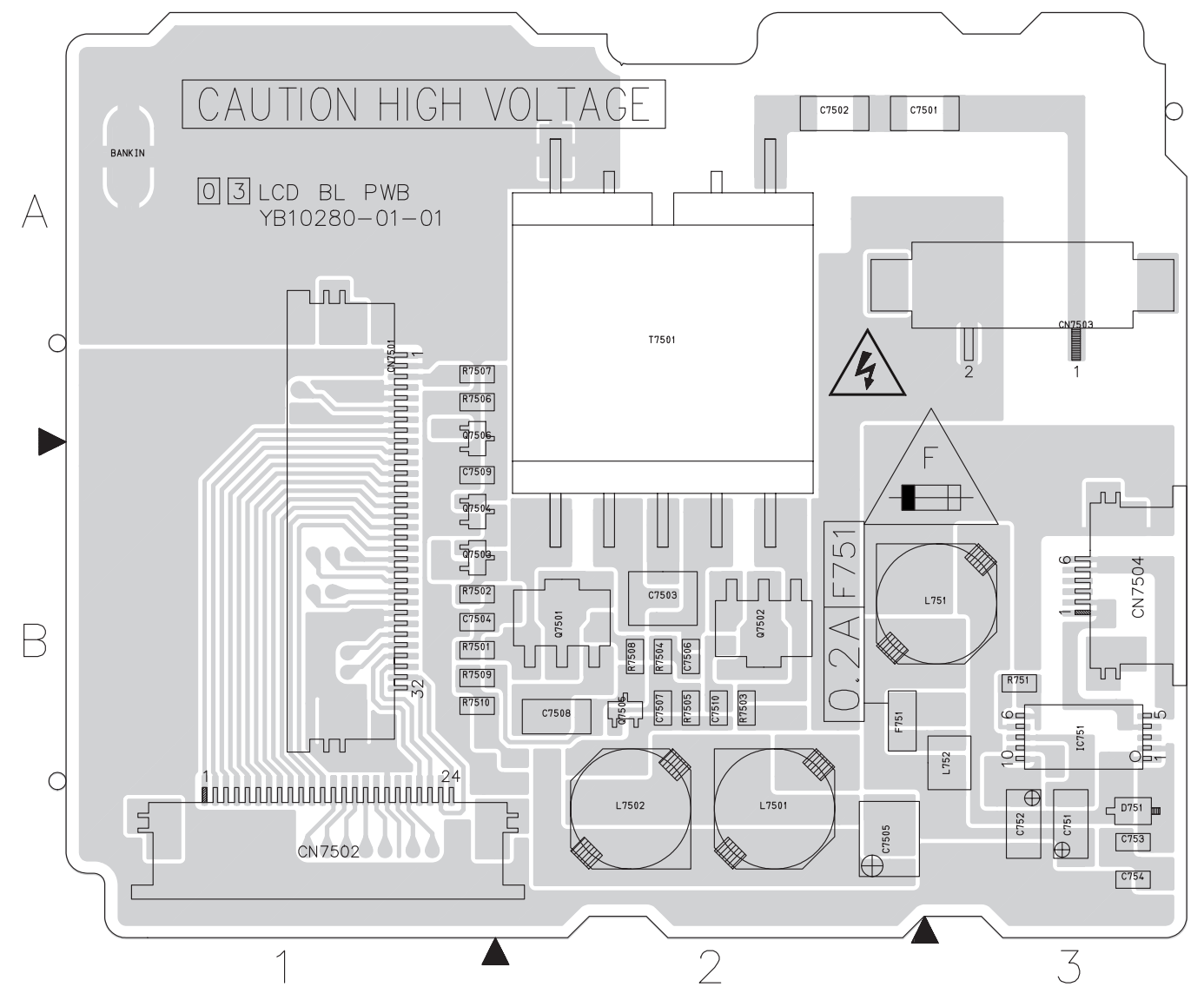
REF.No.	LOCATION	REF.No.	LOCATION	REF.No.	LOCATION	REF.No.	LOCATION	REF.No.	LOCATION	REF.No.	LOCATION	REF.No.	LOCATION	REF.No.	LOCATION
CAPACITOR															
C1	B C 1C	C7602	A C 2A	C7640	A C 2B										
C7102	B C 3C	C7603	A C 2A	C7641	A C 2B										
C7103	A C 2C	C7604	B C 3A	C7642	A C 2B										
C7104	A C 2C	C7605	B C 3A	C7643	B C 2B										
C7105	A C 2C	C7606	A C 2A	C7644	B C 2B										
C7106	A C 2C	C7607	B C 3A	C7645	B C 2B										
C7107	A C 3C	C7608	A C 2B	C7646	A C 2B										
C7108	A C 3C	C7609	A C 2A	C7647	A C 2B										
C7109	B C 3C	C7610	A C 2A	C7648	A C 2A										
C7110	B C 3C	C7611	A C 3B	C7649	A C 2A										
C7111	B C 3C	C7612	A C 3B	C7650	A C 2A										
C7112	B C 3C	C7613	B C 3A	C7651	A C 2A										
C7113	B C 3C	C7614	A C 3A	C7652	B C 2B										
C7114	B C 3B	C7615	A C 3A	C7653	B C 2B										
C7115	B C 3B	C7616	A C 3A	C7654	B C 2B										
C7116	B C 2B	C7617	B C 3A	C7655	B C 2B										
C7117	B C 2B	C7618	B C 3A	C7656	A C 3A										
C7118	B C 2C	C7619	A C 3A	C7657	B C 3B										
C7119	B C 2C	C7620	B C 3A	C7658	B C 3B										
C7120	B C 3C	C7621	B C 3A	C7659	B C 3B										
C7121	B C 3C	C7622	B C 3A	C7660	B C 3B										
C7122	B C 2C	C7623	B C 3A	C7661	B C 3B										
C7123	B C 2C	C7624	B C 3A	C7662	B C 3B										
C7124	A C 3C	C7625	A C 3A	C7663	B C 3B										
C7125	B C 3C	C7626	A C 3A	C7664	B C 3B										
C7126	B C 3C	C7627	A C 3A	C7665	B C 3B										
C7601	A C 3A	C7628	A C 3A	C7666	A C 1C										
DIODE															
D7101	B C 2C														
D7601	B C 2A														
D7603	B C 2A														
IC															
IC7101	A C 2C	IC7601	A C 3A	IC7602	A C 3A										
IC7102	A C 3C	IC7603	A C 3A	IC7603	A C 3A										
IC7103	B C 3C	IC7604	A C 3B	IC7604	A C 3B										
IC7104	A C 3C	IC7605	A C 2A	IC7605	A C 2A										
IC7601	A C 3A	IC7606	A C 3B	IC7606	A C 3B										
IC7602	A C 3A	IC7607	B C 3B	IC7607	B C 3B										
RESISTOR															
R1	B C 3A	R7107	B C 3C	R7639	B C 3B										
R2	A C 3A	R7108	A C 2C	R7640	A C 3B										
R3	A C 3A	R7109	A C 3C	R7641	A C 3B										
R4	B C 2C	R7110	A C 3C	R7642	B C 3B										
R5	B C 2C	R7111	A C 3C	R7643	A C 3B										
R6	B C 3C	R7112	A C 3C	R7644	B C 3B										
R7	B C 3C	R7113	B C 3B	R7645	B C 3B										
R7103	B C 2C	R7114	B C 3B	R7646	B C 3B										
R7104	B C 3C	R7115	B C 3B	R7647	B C 2B										
R7105	B C 3B	R7116	B C 2B	R7648	B C 2B										
R7106	B C 2B	R7117	B C 2B	R7649	B C 2B										
TRANSISTOR															
Q7602	B C 3B	Q7603	B C 3B	Q7604	B C 3B										
Q7605	B C 3B	Q7606	B C 3B	Q7607	B C 3B										
Q7608	B C 2B	Q7609	B C 2B	Q7610	B C 2B										
Q7611	B C 2B	Q7612	B C 2B	Q7613	B C 2B										
Q7614	B C 2A	Q7615	B C 2A	Q7616	B C 2A										
Q7617	B C 2A	Q7618	B C 2A	Q7619	B C 2A										
Q7621	B C 3B	Q7622	B C 3B	Q7623	B C 3B										
Q7624	B C 3B	Q7625	B C 3B	Q7626	B C 3B										
Q7627	B C 3B	Q7628	B C 3B	Q7629	B C 3B										
Q7630	B C 3B	Q7631	B C 3B	Q7632	B C 3B										
Q7633	B C 3B	Q7634	B C 3B	Q7635	B C 3B										
Q7636	B C 3B	Q7637	B C 3B	Q7638	B C 3B										
Q7639	B C 3B	Q7640	B C 3B	Q7641	B C 3B										
Q7642	B C 3B	Q7643	B C 3B	Q7644	B C 3B										
Q7645	B C 3B	Q7646	B C 3B	Q7647	B C 3B										
Q7648	B C 3B	Q7649	B C 3B	Q7650	B C 3B										
Q7651	B C 3B	Q7652	B C 3B	Q7653	B C 3B										
Q7654	B C 3B	Q7655	B C 3B	Q7656	B C 3B										
Q7657	B C 3B	Q7658	B C 3B	Q7659	B C 3B										
Q7660	B C 3B	Q7661	B C 3B	Q7662	B C 3B										
Q7663	B C 3B	Q7664	B C 3B	Q7665	B C 3B										
Q7666	B C 3B	Q7667	B C 3B	Q7668	B C 3B										
Q7669	B C 3B	Q7670	B C 3B	Q7671	B C 3B										
Q7672	B C 3B	Q7673	B C 3B	Q7674	B C 3B										
Q7675	B C 3B	Q7676	B C 3B	Q7677	B C 3B										
Q7678	B C 3B	Q7679	B C 3B	Q7680	B C 3B										
Q7681	B C 3B	Q7682	B C 3B	Q7683	B C 3B										
Q7684	B C 3B	Q7685	B C 3B	Q7686	B C 3B										
Q7687	B C 3B	Q7688	B C 3B	Q7689	B C 3B										
Q7690	B C 3C	Q7691	B C 3C	Q7692	B C 3C										
Q7693	B C 3C	Q7694	B C 3C	Q7695	B C 3C										
Q7696	B C 3C	Q7697	B C 3C	Q7698	B C 3C										
Q7699	B C 3C	Q7700	B C 3C	Q7701	B C 3C										
Q7702	B C 3C	Q7703	B C 3C	Q7704	B C 3C										
Q7705	B C 3C	Q7706	B C 3C	Q7707	B C 3C										
Q7708	B C 3C	Q7709	B C 3C	Q7710	B C 3C										
Q7711	B C 3C	Q7712	B C 3C	Q7713	B C 3C										
Q7714	B C 3C	Q7715	B C 3C	Q7716	B C 3C										
Q7717	B C 3C	Q7718	B C 3C	Q7719	B C 3C										
Q7720	B C 3C	Q7721	B C 3C	Q7722	B C 3C										
Q7723	B C 3C	Q7724	B C 3C	Q7725	B C 3C										
Q7726	B C 3C	Q7727	B C 3C	Q7728	B C 3C										
Q7729	B C 3C	Q7730	B C 3C	Q7731	B C 3C										
Q7732	B C 3C	Q7733	B C 3C	Q7734	B C 3C										
Q7735	B C 3C	Q7736	B C 3C	Q7737	B C 3C										
Q7738	B C 3C	Q7739	B C 3C	Q7740	B C 3C										
Q7741	B C 3C	Q7742	B C 3C	Q7743	B C 3C										
Q7744	B C 3C	Q7745	B C 3C	Q7746	B C 3C										
Q7747	B C 3C	Q7748	B C 3C	Q7749	B C 3C										
Q7750	B C 3C	Q7751	B C 3C	Q7752	B C 3C										
Q7753	B C 3C	Q7754	B C 3C	Q7755	B C 3C										
Q7756	B C 3C	Q7757	B C 3C	Q7758	B C 3C										
Q7759	B C 3C	Q7760	B C 3C	Q7761	B C 3C										
Q7762	B C 3C	Q7763	B C 3C	Q7764	B C 3C										
Q7765	B C 3C	Q7766	B C 3C	Q7767	B C 3C										
Q7768	B C 3C	Q7769	B C 3C	Q7770	B C 3C										
Q7771	B C 3C	Q7772	B C 3C	Q7773	B C 3C										
Q7774	B C 3C	Q7775	B C 3C	Q7776	B C 3C										
Q7777	B C 3C	Q7778	B C 3C	Q7779	B C 3C										
Q7780	B C 3C	Q7781	B C 3C	Q7782	B C 3C										
Q7783	B C 3C	Q7784	B C 3C	Q7785	B C 3C										
Q7786	B C 3C	Q7787	B C 3C	Q7788	B C 3C										
Q7789	B C 3C	Q7790	B C 3C	Q7791	B C 3C										
Q7792	B C 3C	Q7793	B C 3C	Q7794	B C 3C										
Q7795	B C 3C	Q7796	B C 3C	Q7797	B C 3C										
Q7798	B C 3C	Q7799	B C 3C	Q7800	B C 3C										
Q7801	B C 3C	Q7802	B C 3C	Q7803	B C 3C										
Q7804	B C 3C	Q7805	B C 3C	Q7806	B C 3C										
Q7807	B C 3C	Q7808	B C 3C	Q7809	B C 3C										
Q7810	B C 3C	Q7811	B C 3C	Q7812	B C 3C										
Q7813	B C 3C	Q7814	B C 3C	Q7815	B C 3C										
Q7816	B C 3C	Q7817	B C 3C	Q7818	B C 3C										
Q7819	B C 3C	Q7820	B C 3C	Q7821	B C 3C										
Q7822	B C 3C	Q7823	B C 3C	Q7824	B C 3C										
Q7825	B C 3C	Q7826	B C 3C	Q7827	B C 3C										
Q7828	B C 3C	Q7829	B C 3C	Q7830	B C 3C										
Q7831	B C 3C	Q7832	B C 3C	Q7833	B C 3C										
Q7834	B C 3C	Q7835	B C 3C	Q7836	B C 3C										
Q7837	B C 3C	Q7838	B C 3C	Q7839	B C 3C										
Q7840	B C 3C	Q7841	B C 3C	Q7842	B C 3C										
Q7843	B C 3C	Q7844	B C 3C	Q7845	B C 3C										
Q7846	B C 3C	Q7847	B C 3C	Q7848	B C 3C										
Q7849	B C 3C	Q7850	B C 3C	Q7851	B C 3C										
Q7852	B C 3C	Q7853	B C 3C	Q7854	B C 3C										
Q7855	B C 3C	Q7856	B C 3C	Q7857	B C 3C										
Q7858	B C 3C	Q7859	B C 3C	Q7860	B C 3C										
Q7861	B C 3C	Q7862	B C 3C	Q7863	B C 3C										
Q7864	B C 3C	Q7865	B C 3C	Q7866	B C 3C										
Q7867	B C 3C	Q7868	B C 3C	Q7869	B C 3C										
Q7870	B C 3C	Q7871	B C 3C	Q7872	B C 3C										
Q7873	B C 3C	Q7874	B C 3C	Q7875	B C 3C										
Q7876	B C 3C	Q7877	B C 3C	Q7878	B C 3C										
Q7879	B C 3C	Q7880	B C 3C	Q7881	B C 3C										
Q7882	B C 3C	Q7883	B C 3C	Q7884	B C 3C										
Q7885	B C 3C	Q7886	B C 3C	Q7887	B C 3C										
Q7888	B C 3C	Q7889	B C 3C	Q7890	B C 3C										
Q7891	B C 3C	Q7892	B C 3C	Q7893	B C 3C										
Q7894	B C 3C	Q7895	B C 3C	Q7896	B C 3C										
Q7897	B C 3C	Q7898	B C 3C	Q7899	B C 3C										
Q7900	B C 3C	Q7901	B C 3C	Q7902	B C 3C										
Q7903	B C 3C	Q7904	B C 3C	Q7905	B C 3C										
Q7906	B C 3C	Q7907	B C 3C</												

4.25 LCD BL CIRCUIT BOARD

FOIL SIDE (B)



COMPONENT SIDE (A)



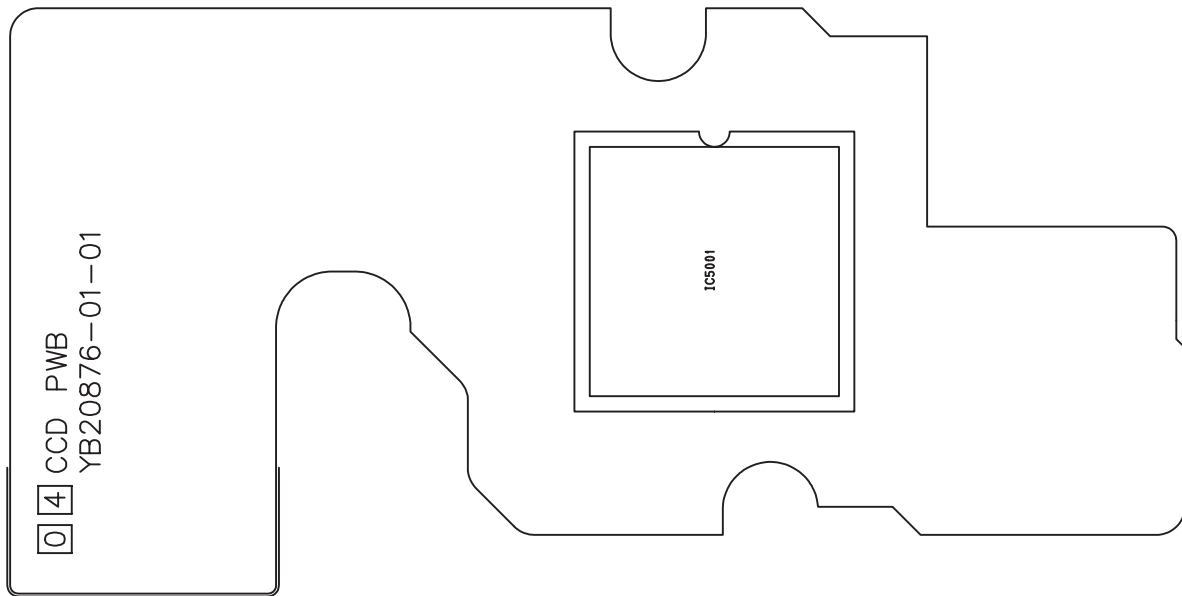
COMPONENT PARTS LOCATION GUIDE (LCD BL)

REF.No.	LOCATION	REF.No.	LOCATION	REF.No.	LOCATION	REF.No.	LOCATION	REF.No.	LOCATION
CAPACITOR		C7509	A C 1B	IC		Q7504	A C 1B	R7508	A C 2B
C751	A C 3B	C7510	A C 2B	IC751	A C 3B	Q7505	A C 2B	R7509	A C 1B
C752	A C 3B	CONNECTOR		COIL		Q7506	A C 1A	R7510	A C 1B
C753	A C 3B	CONNECTOR		COIL		RESISTOR		OTHER	
C754	A C 3B	CN7501	A C 1A	L751	A C 3B	R751	A C 3B	T7501	A C 2A
C7501	A C 3A	CN7502	A C 1B	L752	A C 3B	R7501	A C 1B	F751	A C 2B
C7502	A C 2A	CN7503	A C 3A	L7501	A C 2B	R7502	A C 1B		
C7503	A C 2B	CN7504	A C 3B	L7502	A C 2B	R7503	A C 2B		
C7504	A C 1B	DIODE		CONNECTOR		R7504	A C 2B		
C7505	A C 2B	DIODE		CONNECTOR		R7505	A C 2B		
C7506	A C 2B	D751	A C 3B	Q7501	A C 2B	R7506	A C 1A		
C7507	A C 2B			Q7502	A C 2B	R7507	A C 1A		
C7508	A C 2B			Q7503	A C 1B				

4.26 CCD AND JUNCTION CIRCUIT BOARDS

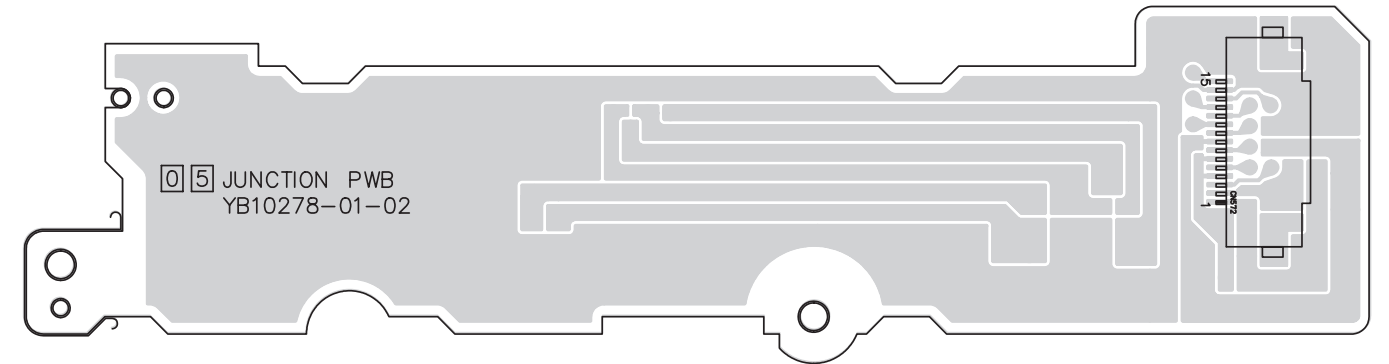
— CCD —

FOIL SIDE (B)

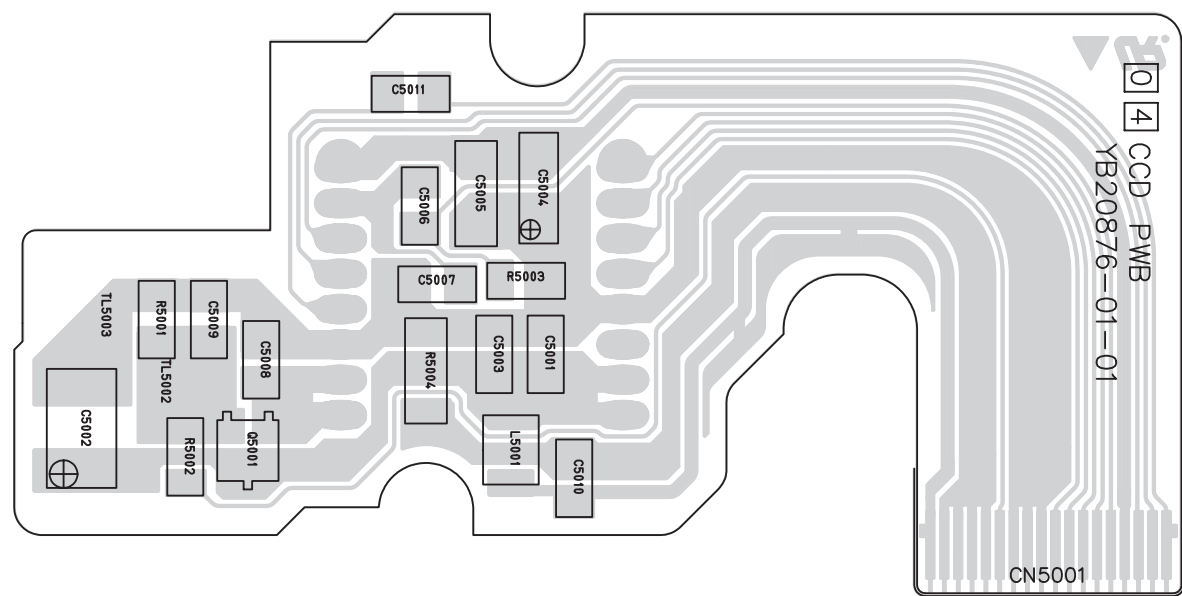


— JUNCTOIN —

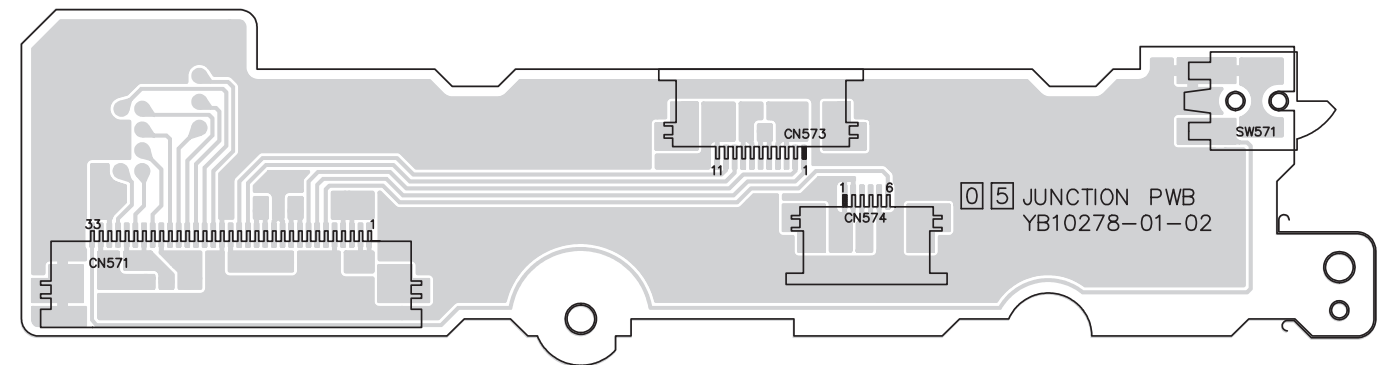
FOIL SIDE (B)



COMPONENT SIDE (A)



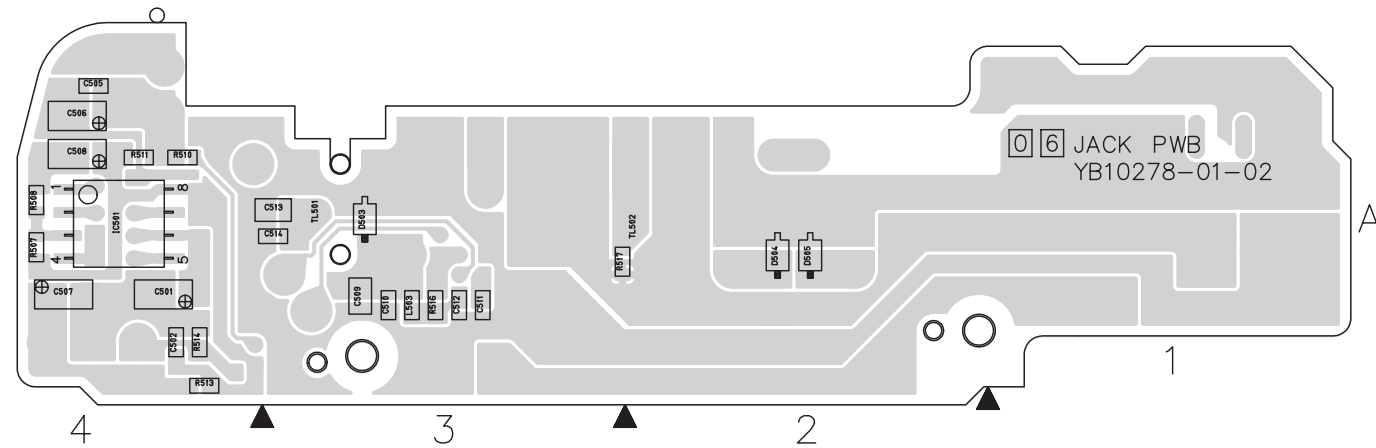
COMPONENT SIDE (A)



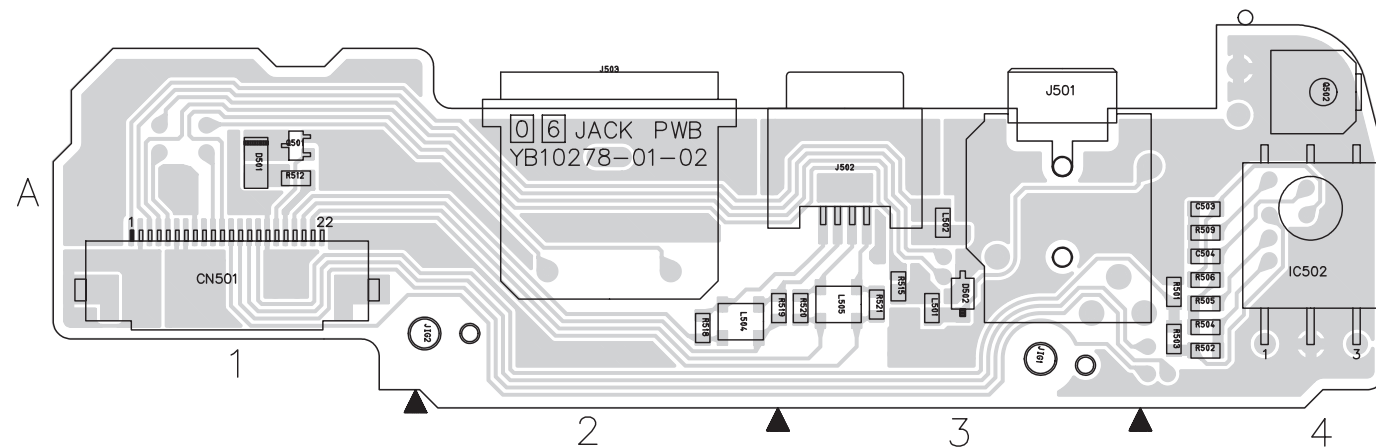
4.27 JACK AND REAR CIRCUIT BOARDS

— JACK —

FOIL SIDE (B)

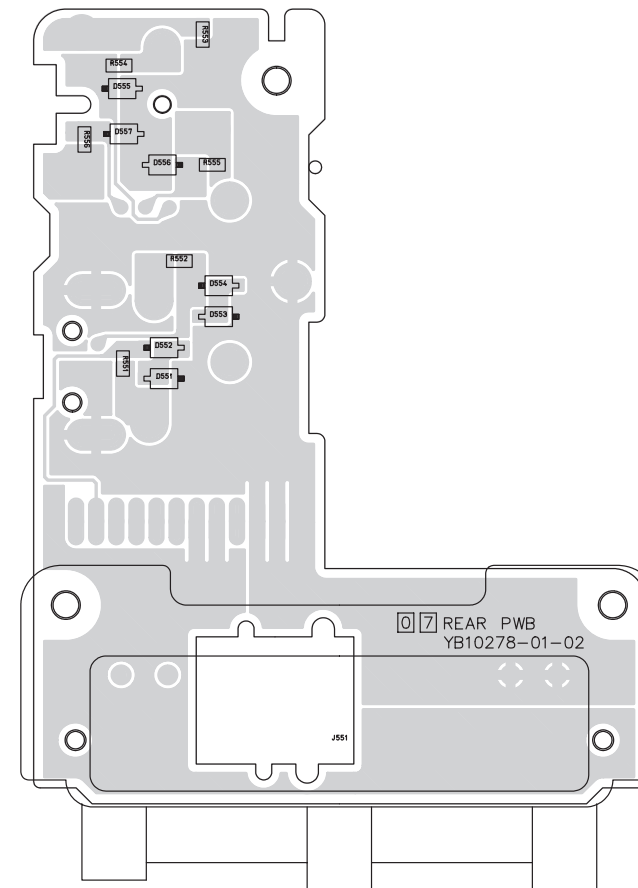


COMPONENT SIDE (A)

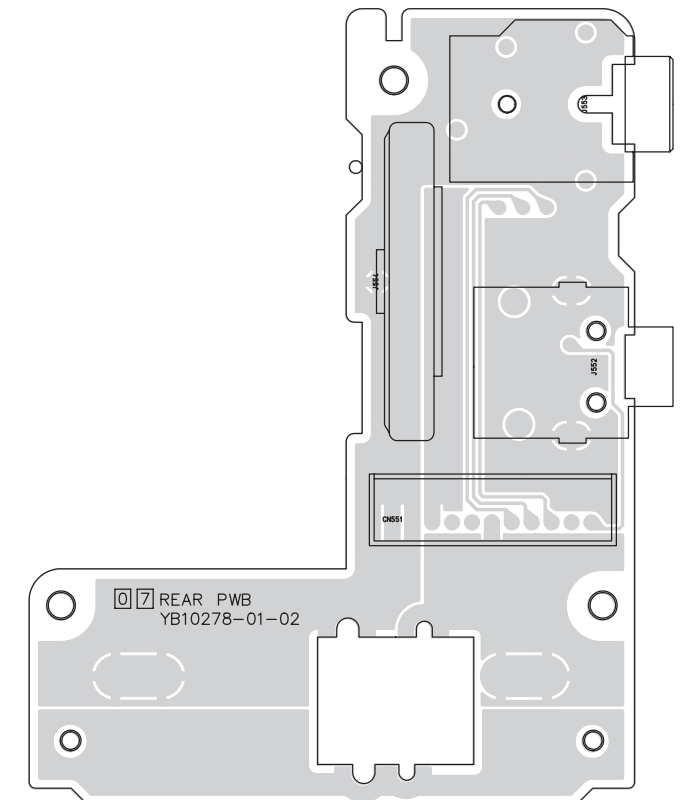


— REAR —

FOIL SIDE (B)



COMPONENT SIDE (A)



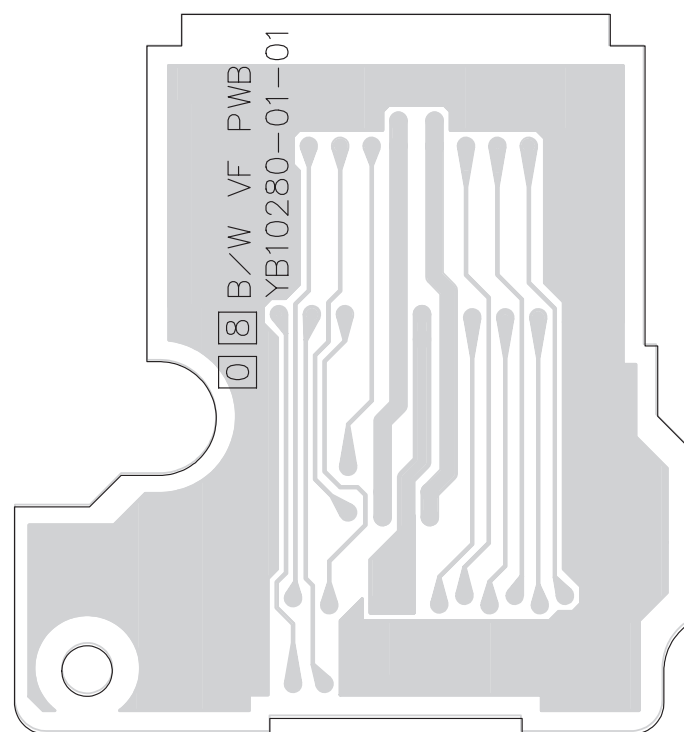
COMPONENT PARTS LOCATION GUIDE (JACK)

REF.No.	LOCATION	REF.No.	LOCATION	REF.No.	LOCATION	REF.No.	LOCATION	REF.No.	LOCATION
CAPACITOR		CONNECTOR		COIL		R504	A C 4A	R519	A C 3A
C501	B C 4A	CN501	A C 1A	L501	A C 3A	R505	A C 4A	R520	A C 3A
C502	B C 4A		DIODE	L502	A C 3A	R506	A C 4A	R521	A C 3A
C503	A C 4A	D501		A C 1A	L503	B C 3A	R507	B C 4A	OTHER
C504	A C 4A	D502	A C 3A	L504	A C 2A	R508	B C 4A	J501	A D 3A
C505	B C 4A	D503	B C 3A	L505	A C 3A	R509	A C 4A	J502	A C 3A
C506	B C 4A	D504	B C 2A	TRANSISTOR		R510	B C 4A	J503	A D 2A
C507	B C 4A	D505	B C 2A	Q501	A C 1A	R511	B C 4A	TL501	B C 3A
C508	B C 4A	IC		Q502	A D 4A	R512	A C 1A	TL502	B C 2A
C509	B C 3A	IC501	B C 4A	RESISTOR		R513	B C 4A		
C510	B C 3A		IC502	A D 4A	R501	A C 4A	R514	B C 4A	
C511	B C 3A	R502		A C 4A	R515	A C 3A	R516	B C 3A	
C512	B C 3A	R503	A C 4A	R517	B C 3A	R518	A C 2A		
C513	B C 3A								
C514	B C 3A								

4.28 B/W VF AND MMC CIRCUIT BOARDS

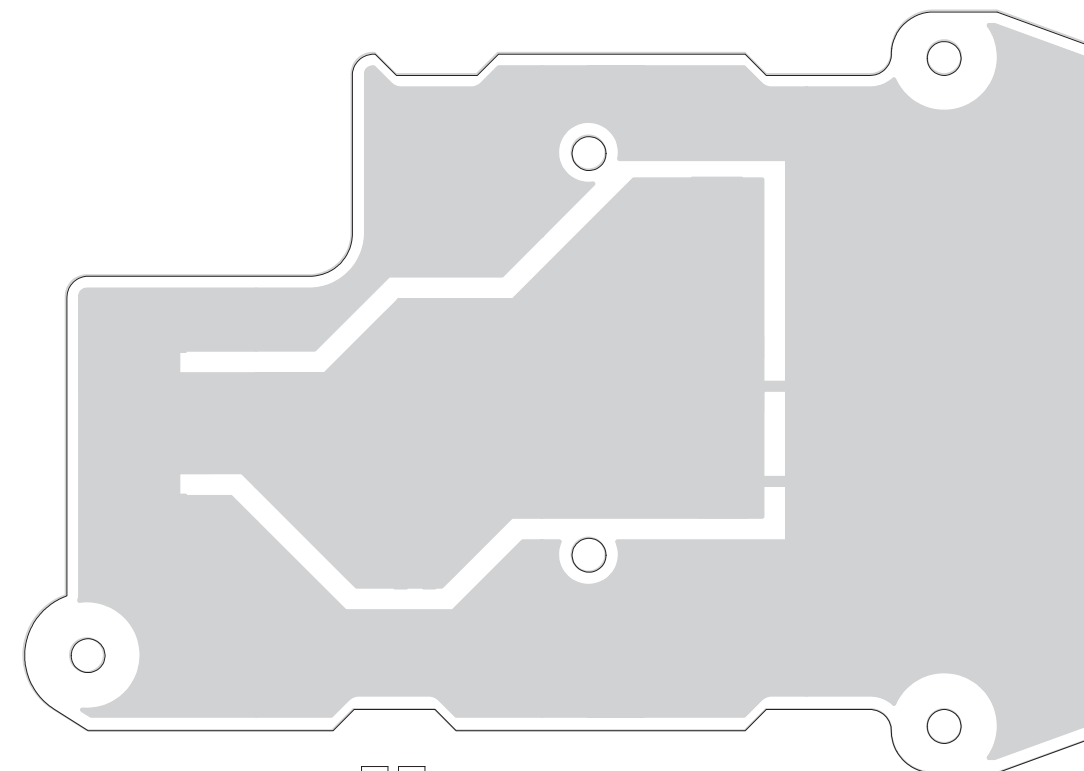
— B/W VF —

FOIL SIDE (B)



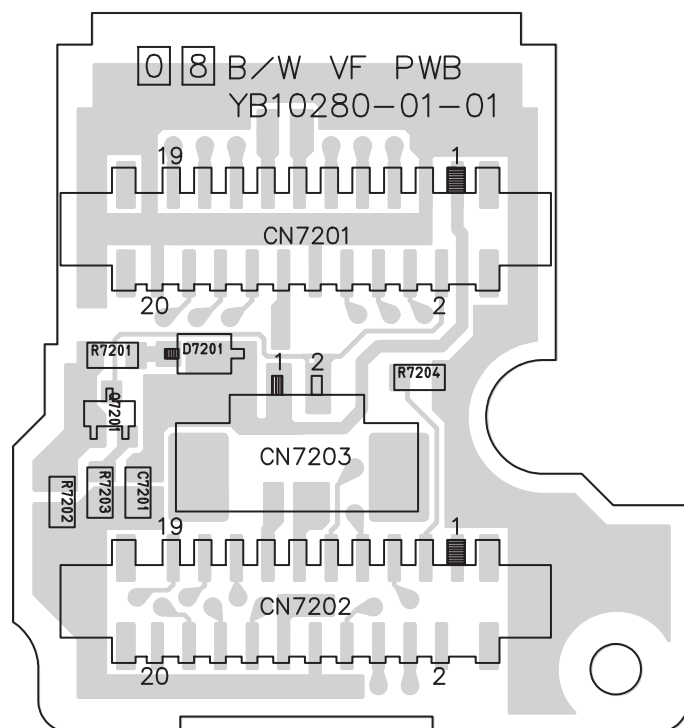
— MMC —

FOIL SIDE (B)

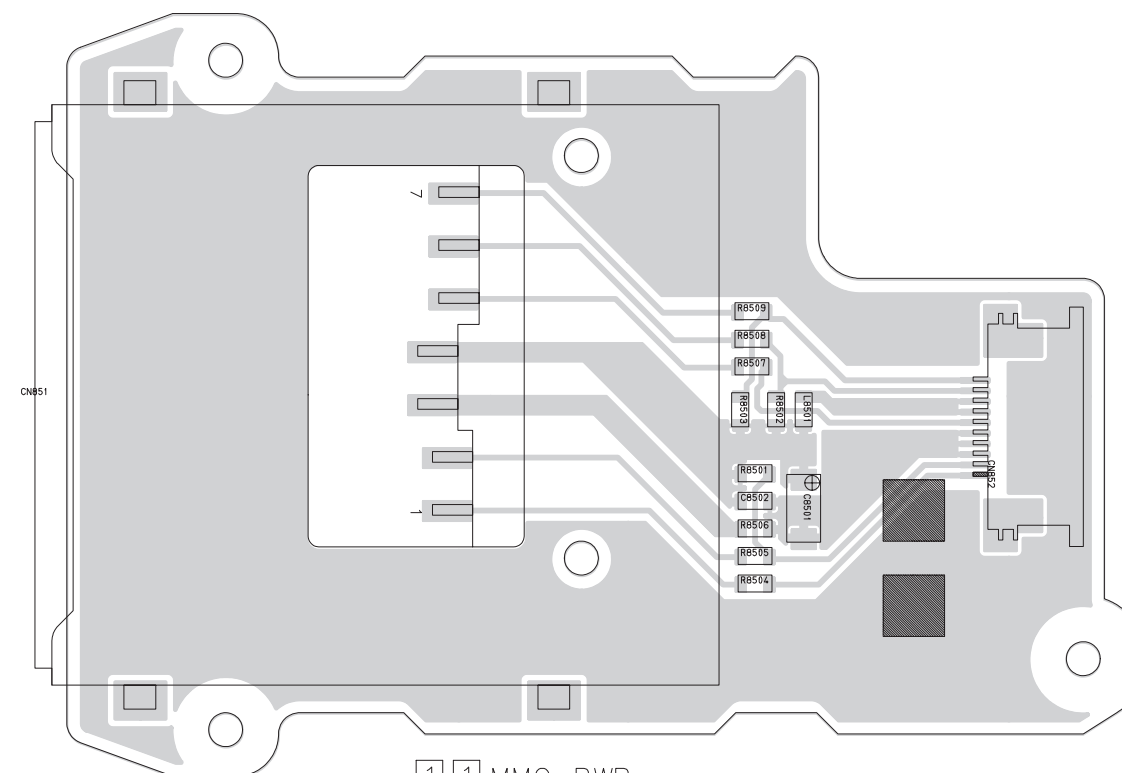


[1] [1] MMC PWB
YB20893

COMPONENT SIDE (A)



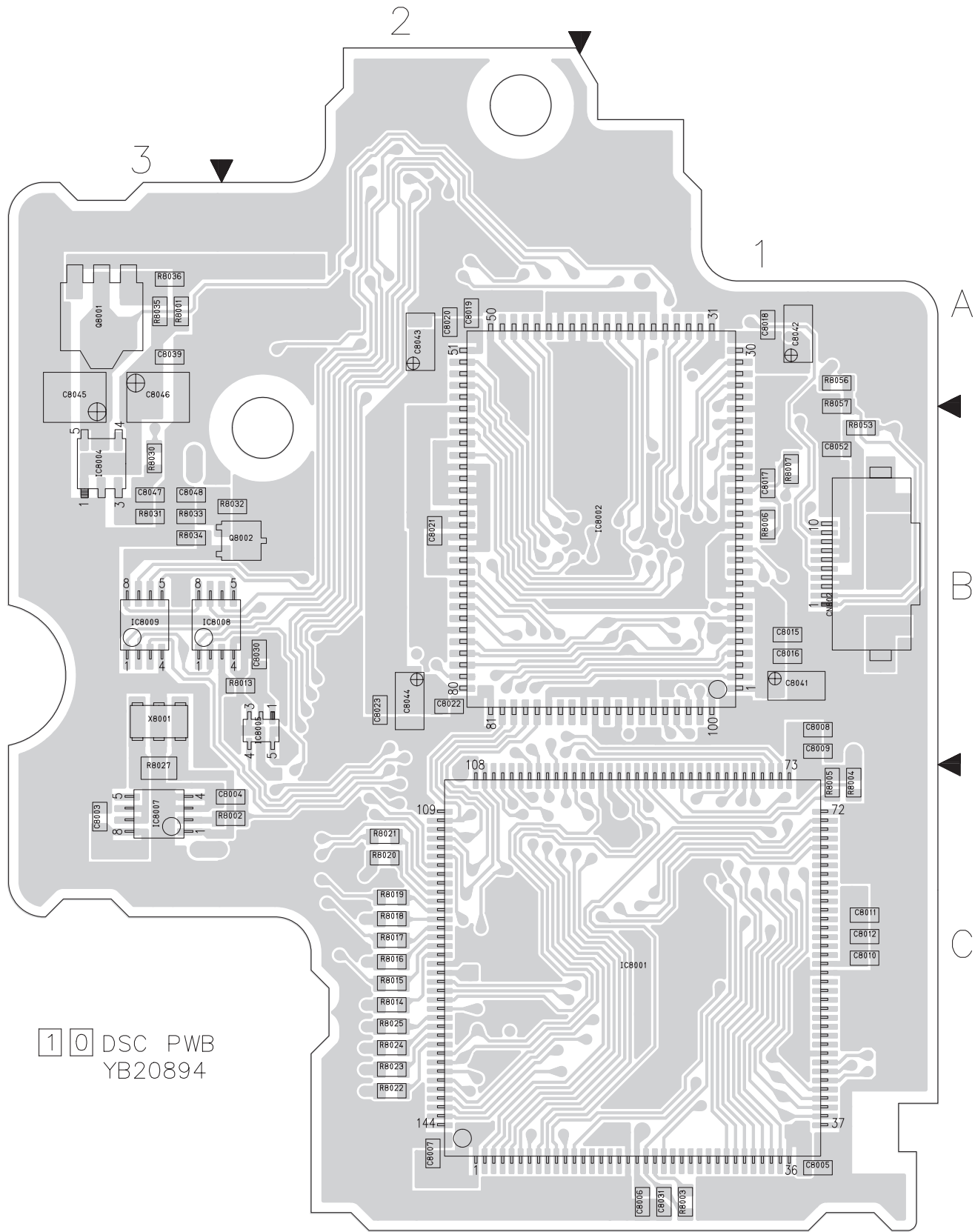
COMPONENT SIDE (A)



[1] [1] MMC PWB
YB20893

4.29 DSC CIRCUIT BOARD

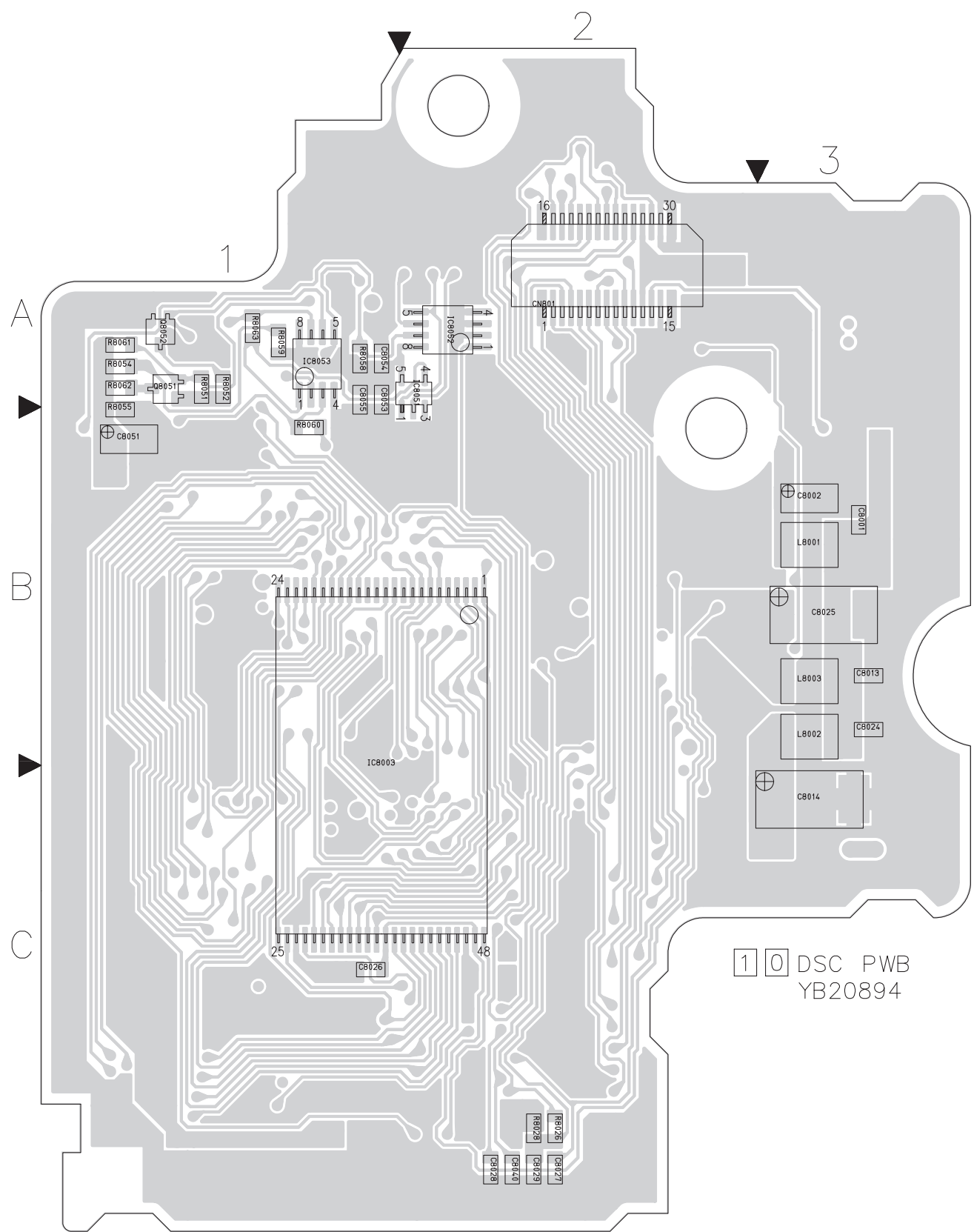
FOIL SIDE (B)



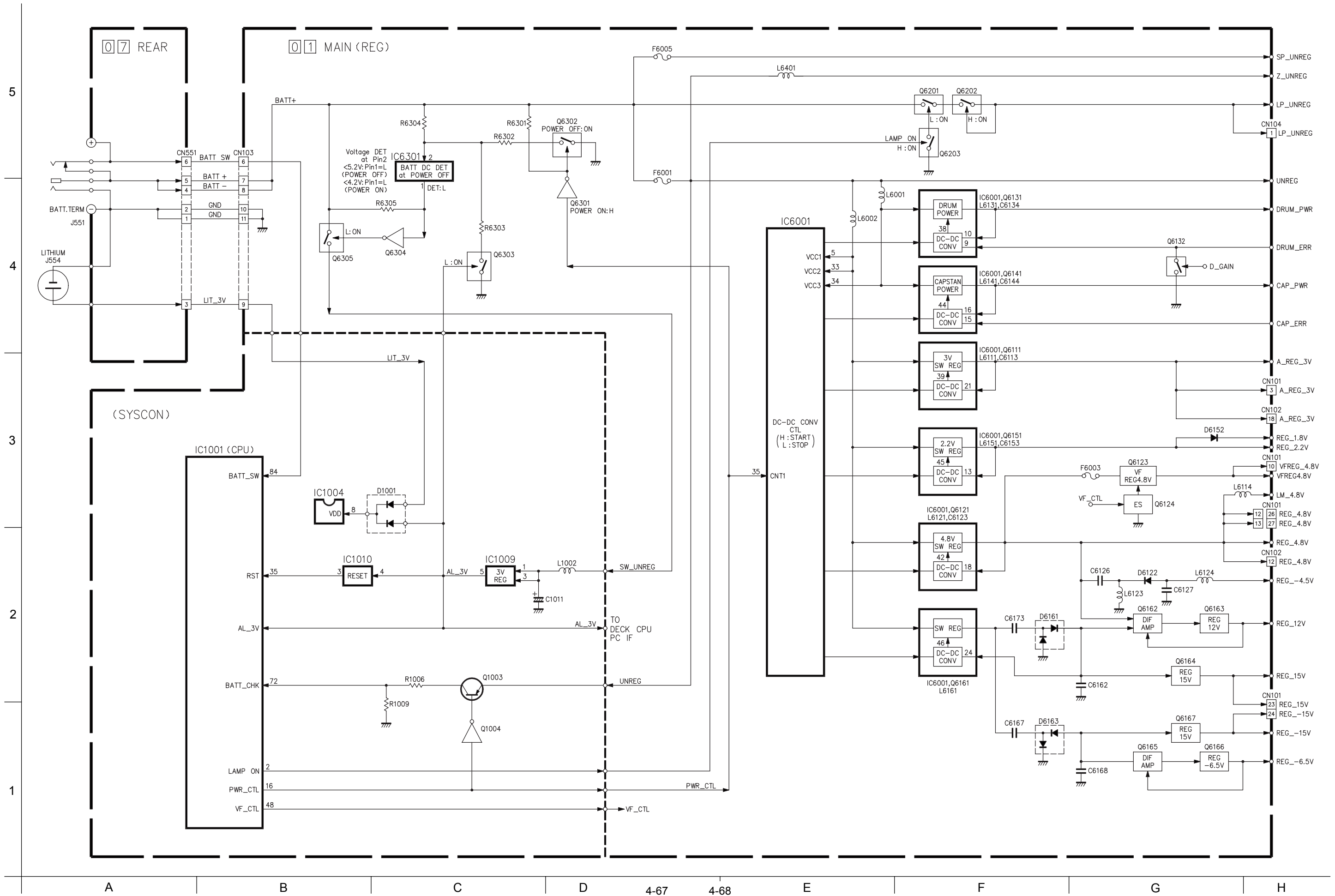
COMPONENT PARTS LOCATION GUIDE (DSC)

REF.No.	LOCATION	REF.No.	LOCATION
CAPACITOR			
C8001	A C 3B	R8017	B C C 2C
C8002	A C 3B	R8018	B C C 2C
C8003	B C C 3C	R8019	B C C 2C
C8004	B C C 2C	R8020	B C C 2C
C8005	B C C 1C	R8021	B C C 2C
C8006	B C C 1C	R8022	B C C 2C
C8007	B C C 2C	R8023	B C C 2C
C8008	B C C 1B	R8024	B C C 2C
C8009	B C C 1B	R8025	B C C 2C
C8010	B C C 1C	R8026	A C C 2C
C8011	B C C 1C	R8027	B C C 3C
C8012	B C C 1C	R8028	A C C 2C
C8013	A C C 3B	R8030	B C C 3B
C8014	A C C 3C	R8031	B C C 3B
C8015	B C C 1B	R8032	B C C 2B
C8016	B C C 1B	R8033	B C C 3B
C8017	B C C 1B	R8034	B C C 3B
C8018	B C C 1A	R8035	B C C 3A
C8019	B C C 2A	R8036	B C C 3A
C8020	B C C 2A	R8051	A C C 1A
C8021	B C C 2B	R8052	A C C 1A
C8022	B C C 2B	R8053	A C C 1B
C8023	B C C 2B	R8054	A C C 1B
C8024	A C C 3B	R8055	A C C 1A
C8025	A C C 3B	R8056	B C C 1B
C8026	A C C 1C	R8057	B C C 1A
C8027	A C C 2C	R8058	A C C 1A
C8028	A C C 2C	R8059	A C C 1A
C8029	A C C 2C	R8060	A C C 1B
C8030	A C C 2B	R8061	A C C 1A
C8031	B C C 1C	R8062	A C C 1A
C8039	B C C 3A	R8063	A C C 1A
C8040	A C C 2C	OTHER	
C8041	B C C 1B	X8001	B C 3B
C8042	B C C 1A		
C8043	B C C 2A		
C8044	B C C 2B		
C8045	B C C 3A		
C8046	B C C 3A		
C8047	B C C 3B		
C8048	B C C 3B		
C8051	A C C 1B		
C8052	B C C 1B		
C8053	A C C 1A		
C8054	A C C 1A		
C8055	A C C 1A		
CONNECTOR			
CN801	A C 2A		
CN802	B C 1B		
IC			
IC8001	B C 1C		
IC8002	B C 1B		
IC8003	A C C 1C		
IC8004	B C C 3C		
IC8005	B C 2B		
IC8007	B C C 3C		
IC8008	B C C 3B		
IC8009	B C C 3B		
IC8051	A C C 2A		
IC8052	A C C 2A		
IC8053	A C C 1A		
COIL			
L8001	A C 3B		
L8002	A C 3B		
L8003	A C 3B		
TRANSISTOR			
Q8001	B C 3A		
Q8002	B C 2B		
Q8051	A C 1A		
Q8052	A C 1A		
RESISTOR			
R8001	B C 3A		
R8002	B C 2C		
R8003	B C 1C		
R8004	B C 1C		
R8005	B C 1C		
R8006	B C 1B		
R8007	B C 1B		
R8013	B C 2B		
R8014	B C 2C		
R8015	B C 2C		
R8016	B C 2C		

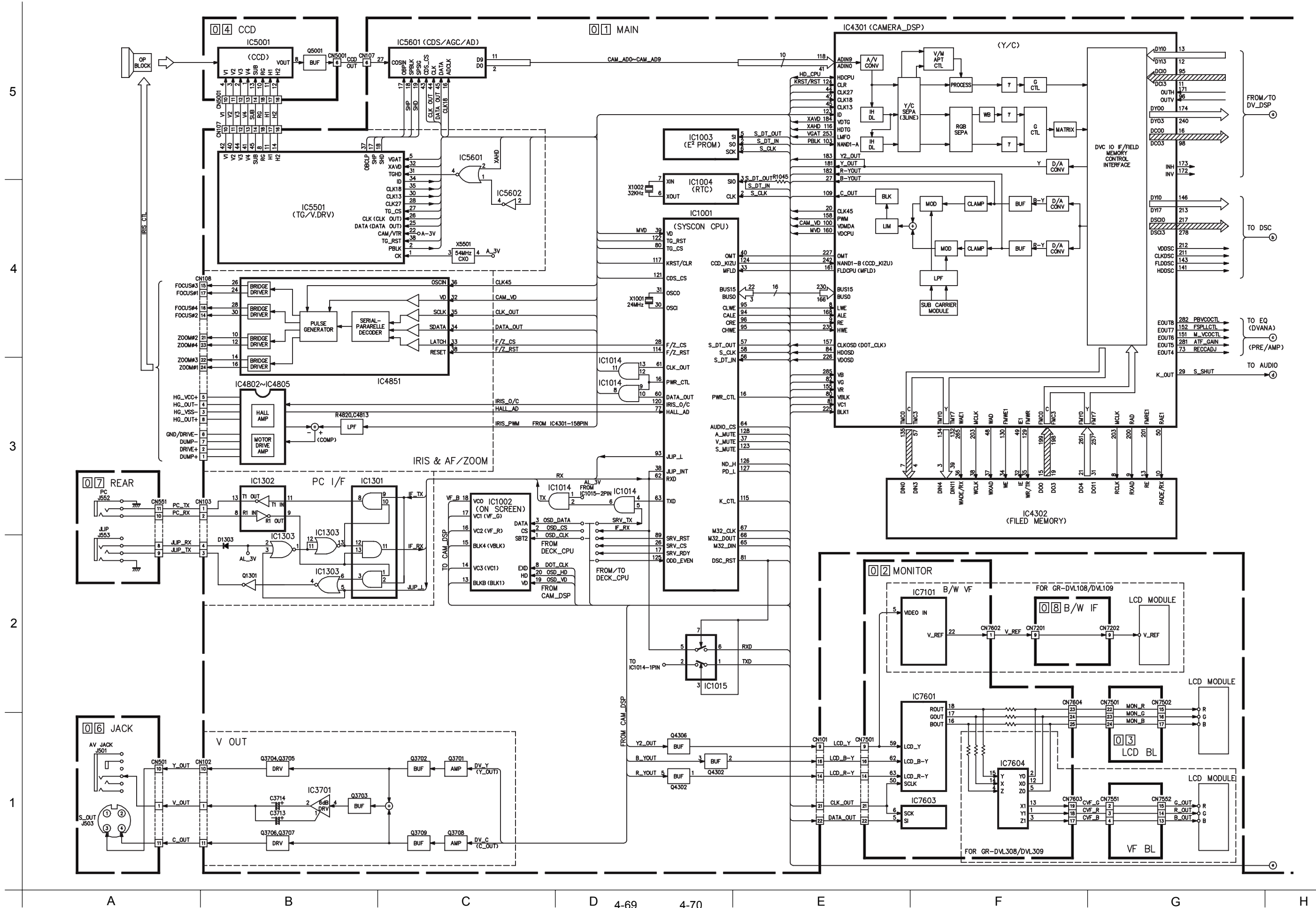
COMPONENT SIDE (A)



4.31 REGULATOR SYSTEM BLOCK DIAGRAM

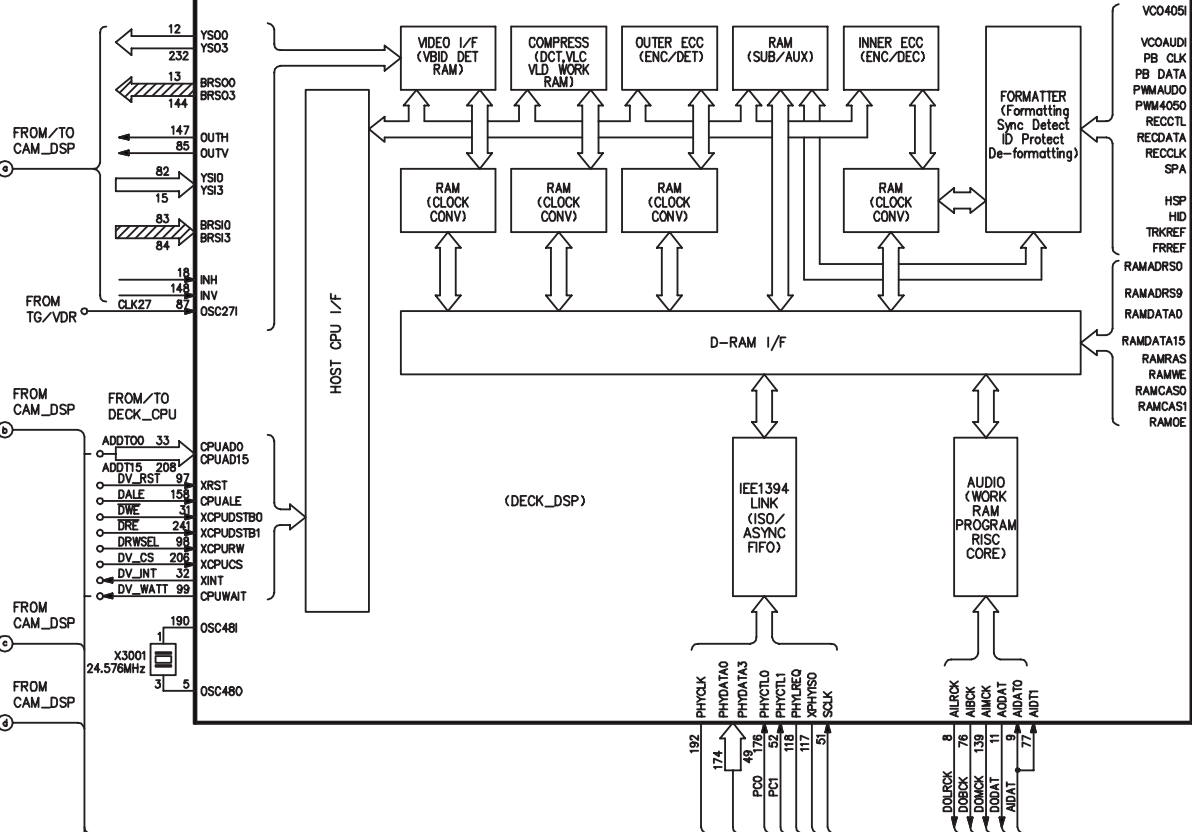


4.32 VIDEO SYSTEM BLOCK DIAGRAM

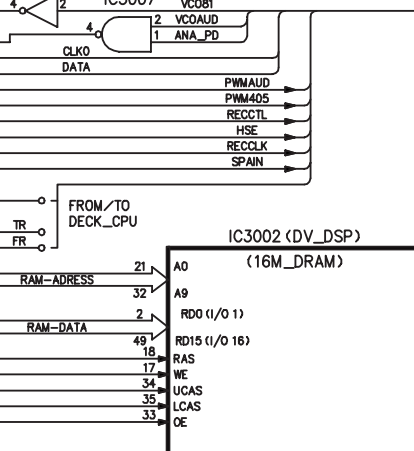


01 MAIN

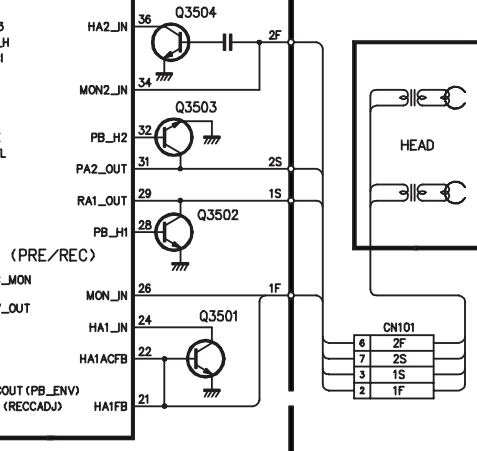
IC3001 (DV_DSP)



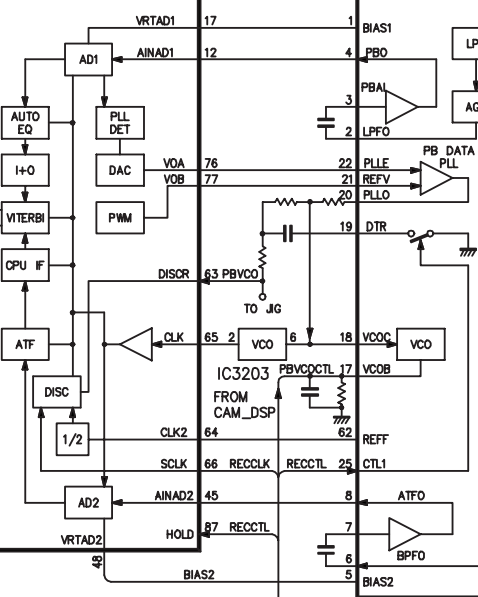
IC3005



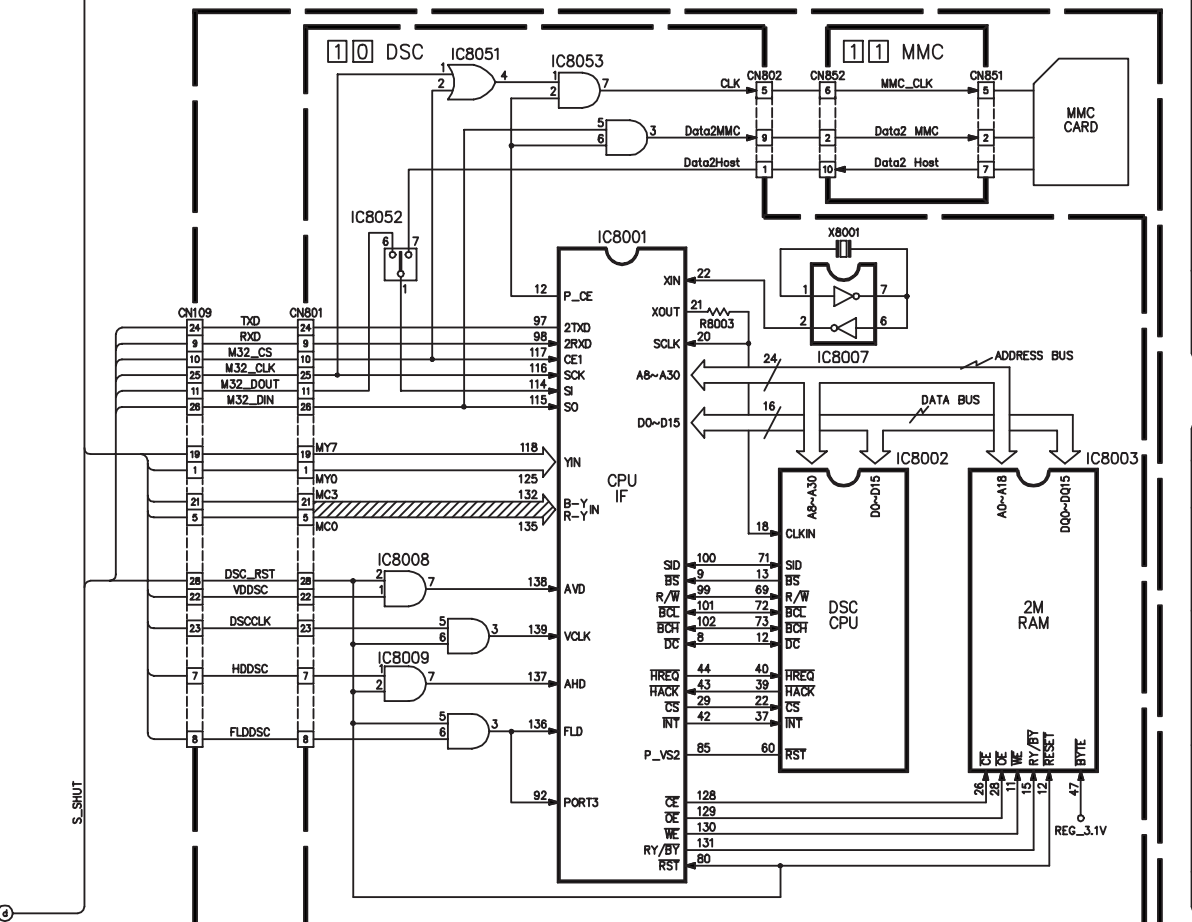
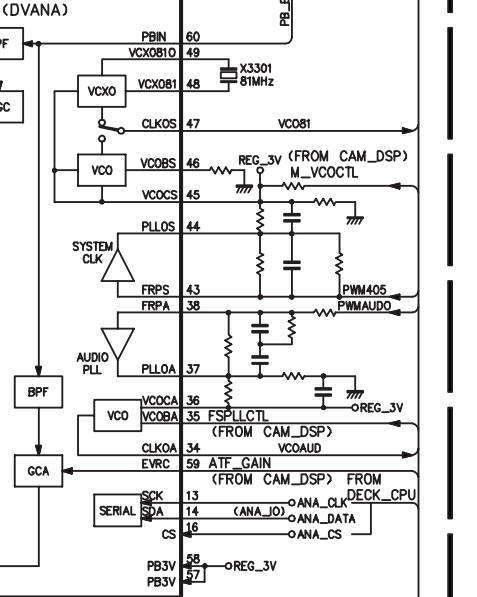
IC3501



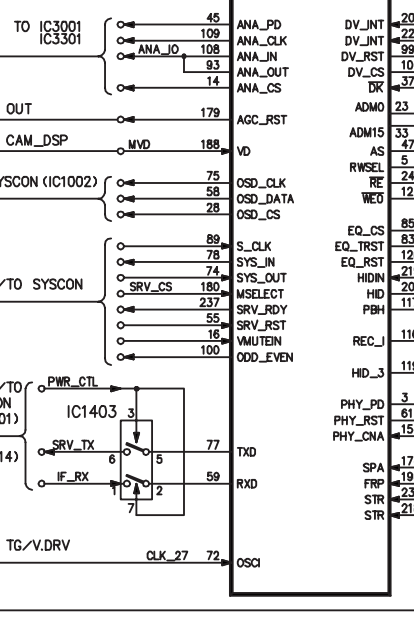
IC3201 (DV_EQ)



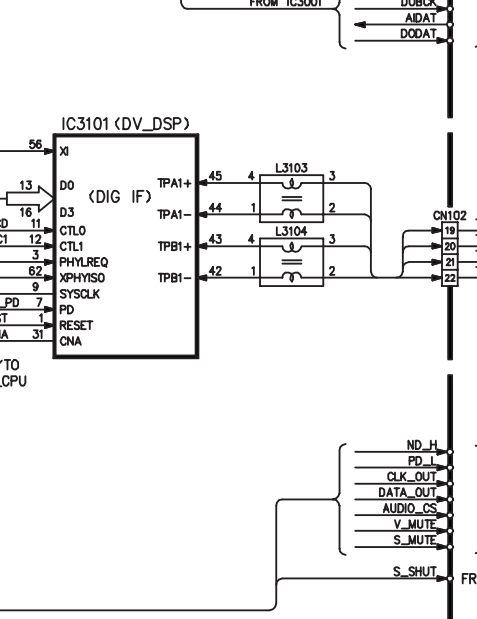
IC3301 (DV_EQ)



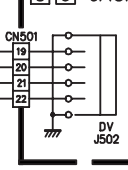
IC1401 (DECK_CPU)



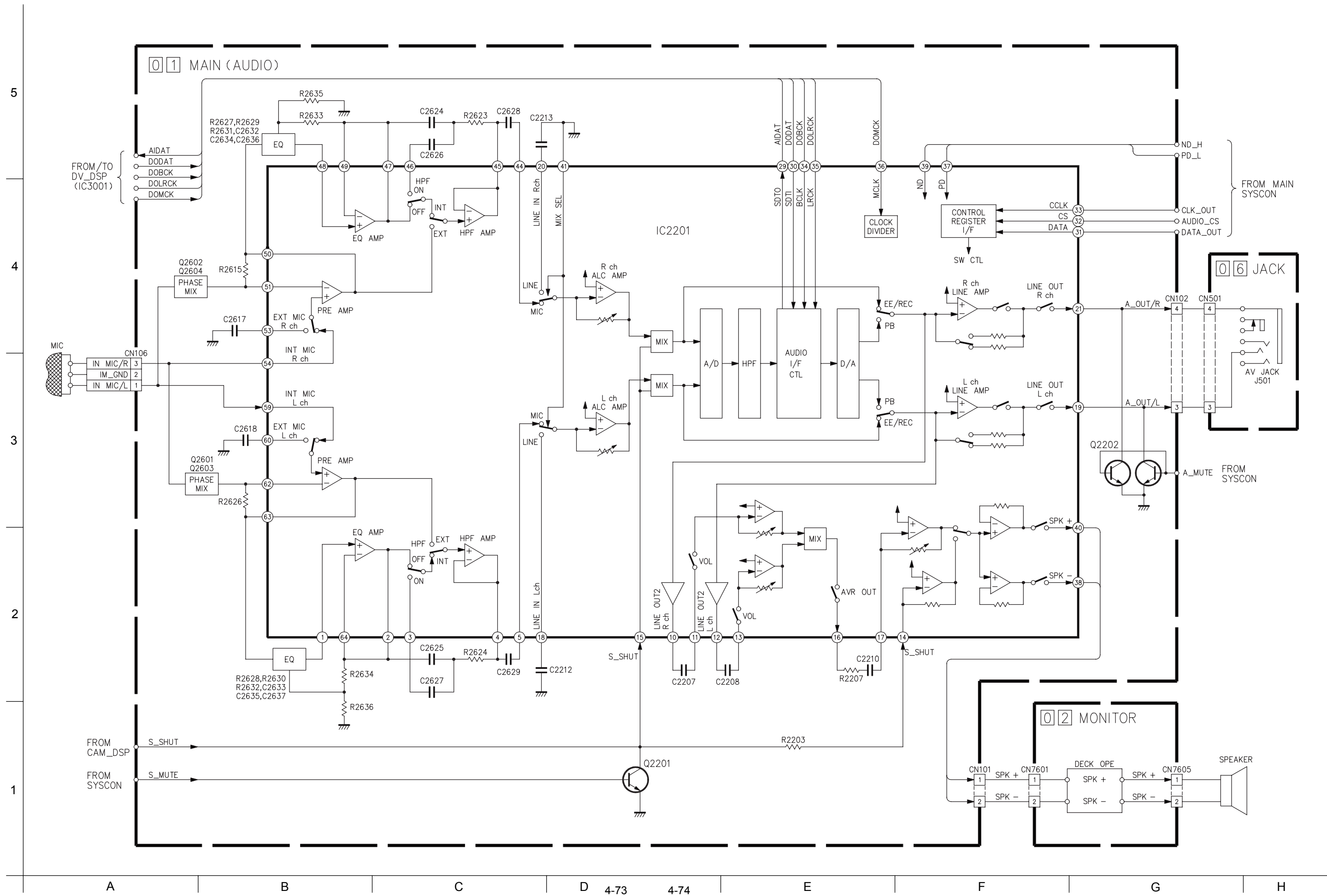
IC3101 (DV_DSP)



06 JACK



4.33 AUDIO SYSTEM BLOCK DIAGRAM



Note: Parts whose data cannot be obtained (for example, CSP IC, etc.) are omitted from the following chart in some cases.

4.34 VOLTAGE CHARTS

<SYSCON>

MODE PIN NO.	REC	PLAY
IC1001		
1	0	0
2	0	0
3	0	0
4	0	3
5	2.8	2.8
6	0	0
7	3	3
8	0	0
9	0	0
10	1	1
11	0	0
12	1.9	0
13	0	0
14	1.9	1.8
15	1.1	0
16	3	3
17	1.1	1.1
18	0	0
19	0	0
20	3	3
21	3	3
22	3	3
23	0	0
24	0	0
25	3	3
26	1.9	1.9
27	1.4	1.4
28	0	0
29	3	3
30	0	1.5
31	1.5	1.4
32	0	0
33	1.5	1.5
34	3	3
35	3	3
36	2.9	2.9
37	0	0
38	3	3
39	2.9	2.9
40	0	0
41	0	0
42	0	0
43	3	3
44	3	2.9
45	3	3
46	3	3
47	0	0
48	0	0
49	3	3
50	3	3
51	1.5	0
52	0	0
53	3	3
54	3	3
55	2.9	2.8
56	1.6	0
57	3	3
58	3	3
59	0	0
60	3	0
61	3	3
62	3	3
63	3	0
64	3	3
65	0	0
66	0	0
67	0	0
68	3	3
69	0	0
70	0	0
71	0	0
72	2.4	2.4
73	3	3
74	1.5	1.5
75	1.5	1.5
76	2.8	2.8
77	1.2	2.3
78	0	0
79	0	0

MODE PIN NO.	REC	PLAY
80	0	0
81	3	3
82	1.2	1.3
83	0	0
84	2.1	2.1
85	3	3
86	3	3
87	3	3
88	0	0
89	3	0
90	0	0
91	0	3
92	0	0
93	0	0
94	3	3
95	3	3
96	3	3
97	0	0
98	3	3
99	0	0
100	3	3
101	3	3
102	0	3
103	0	3
104	3	3
105	3	0
106	3	3
107	0	0
108	3	3
109	0	0
110	3	3
111	3	3
112	0	0
113	0	0
114	3	3
115	0	0
116	0	0
117	0	3
118	0	0
119	3	3
120	2.2	3
121	3	3
122	0	3
123	3	0
124	0	0
125	0	0
126	0	0
127	0	3
128	0	0
IC1002		
1	1.7	1.7
2	0	0
3	1.8	1.9
4	3	3
5	3	3
6	3	3
7	1.4	1.4
8	1.5	1.5
9	0	0
10	0	0
11	0	0
12	0	0
13	0	0
14	0	0
15	0	0
16	0	0
17	0	0
18	0	0
19	2.9	0
20	2.8	2.8
IC1003		
1	3	3
2	1.8	1.8
3	3	3
4	0	0
5	3	3
6	3	3
7	3	3
8	3	3

MODE PIN NO.	REC	PLAY
IC1004		
1	0	0
2	3	3
3	1.8	1.8
4	0	0
5	3	2.9
6	0.5	0.5
7	0.5	0.4
8	3	3
IC1009		
1	6.6	6.6
2	0	0
3	6.6	6.6
4	0	0
5	3	0
IC1010		
1	0	0
2	0	0
3	3	3
4	3	3
IC1014		
1	3	0
2	3	3
3	3	3
4	3	3
5	3	3
6	3	3
7	0	0
8	2.9	3
9	3	3
10	3	0
11	3	3
12	3	3
13	3	3
14	3	3
IC1015		
1	-	-
2	-	-
3	-	-
4	-	-
5	-	-
6	-	-
7	-	-
8	-	-
Q1002		
E	3	3
C	0	0
B	3	3
Q1003		
E	6.6	6.6
C	6.6	6.6
B	0	0
Q1004		
E	0	0
C	0	0
B	3	3
Q1008		
E	0	0
C	0	0
B	0	0
Q1009		
E	0	0
C	0	3
B	3	0
Q1010		
E	3	0
C	0	0
B	0	3

<PC IF>

MODE PIN NO.	REC	PLAY
IC1301		
1	0	3
2	3	3
3	3	3
4	0	0
5	0	0
6	0	0
7	0	0
8	3	3
9	3	3
10	0	3
11	3	3
12	3	3
13	3	3
14	3	3
IC1302		
1	0	0
2	3	3
3	3	3
4	3	3
5	3	3
6	0	0
7	0	0
8	0	0
9	3	3
10	0	0
11	3	3
12	0	0
13	0	0
14	0	0
15	3	3
16	3	3
IC1303		
1	0	0
2	3	3
3	0	0
4	0	0
5	0	0
6	0	3
7	0	0
8	0	0
9	0	0
10	3	3
11	0	0
12	0	0
13	3	3
14	3	3
Q1301		
E	0	0
C	0.4	0.6
B	0	0

<DECK CPU>

MODE PIN NO.	REC	PLAY
IC1402		
1	-	-
2	3	3
3	-	-
4	0	0
5	-	-
6	0	0
7	-	-
8	3	3
IC1403		
1	3	3
2	3	3
3	3	3
4	0	0
5	3	3
6	3	3
7	3	3
8	3	3
IC1405		
1	3	3
2	0	0
3	0	0
4	0	0
5	0	0
6	0	0
7	3	3
8	3	3
Q1401		
E	3	3
C	3	3
B	3	3
Q1402		
1	0	0
2	3	3
3	0	3
4	2.8	0
5	0	0
Q1403		
1	0	0
2	0	0
3	3	3
4	0	-0.4
5	3	3

<MDA>

MODE PIN NO.	REC	PLAY
IC1601		
1	0	0
2	0.8	0.9
3	0.8	0.8
4	0	0
5	0.8	0.8
6	0	0
7	0	0
8	0	0
9	0	0
10	0	0
11	0	0
12	0	0
13	0	0
14	4.8	4.8
15	0	0
16	0	0.4
17	0	0
18	0.4	0
19	0	0
20	0.4	0
21	0	0
22	0	0
23	0.9	0.9
24	6.6	6.7
25	0	1.5
26	1.5	1.5
27	1.5	1.4

MODE PIN NO.	REC	PLAY
28	1.5	1.5
29	1.4	0
30	1.5	1.5
31	1.5	1.4
32	0	1.4
33	1.5	1.5
34	1.5	0
35	3	3
36	3	3
37	0	0
38	0.6	0.7
39	0.6	0.6
40	1.2	1.2
41	1.6	1.6
42	0	0.4
43	3	0
44	0	0
45	0	0
46	0	0
47	3	3
48	0	0
49	0	3
50	1.9	1.9
51	0	0
52	1.5	1.5
53	1.1	1.1
54	0	0.4
55	0.6	0.7
56	0	0.7
57	1	1
58	0.6	0.6
59	0	0
60	1	1
61	2.6	2.7
62	1.2	1.2
63	1.5	1.5
64	1.5	1.5
65	1.5	1.5
66	1.5	1.5
67	1.5	1.5
68	0.5	0.5
69	0	0
70	0.8	0.9
71	0	0.9
72	0.9	0.9
73	0	0.9
74	1.1	1.1
75	0	0
76	0	0
77	6.7	6.7
78	1.8	1.8
79	0	0
80	0	0
Q1601		
1	0	0
2	0	0
3	4.8	4.8
4	0	0
5	4.8	4.8

<AUDIO>

MODE PIN NO.	REC	PLAY
IC2201		
1	1.9	0
2	1.9	0
3	1.7	3.5
4	1.8	1.9
5	1.5	1.5
6	1.5	1.5
7	1.5	1.5
8	0	0
9	3	3
10	0.6	1.5
11	0.6	1.5
12	0.6	1.5
13	0.6	1.5
14	1.5	1.5
15	1.5	1.5
16	0	1.5
17	1.3	1.5
18	1.5	1.4
19	1.6	0
20	1.4	1.5
21	1.4	1.2
22	2.4	2.4
23	4.8	4.8
24	0	0
25	0	0
26	0	0
27	3	3
28	0	0
29	1.5	0
30	1.5	1.5
31	3	3
32	3	3
33	3	3
34	1.5	1.5
35	1.5	1.5
36	1.5	1.4
37	3	3
38	0	2.6
39	0	0
40	1.5	2.6
41	3	0
42	0	0
43	5.9	5.1
44	1.5	1.5
45	1.8	0.7
46	1.8	3.5
47	1.8	0
48	1.8	0
49	1.9	0
50	1.9	0
51	1.9	0
52	2.5	0
53	1.8	0.5
54	1.8	2.2
55	3.7	4.1
56	1.8	2.1
57	0	0
58	3.7	4.2
59	1.8	2
60	1.8	0
61	1.8	3.5
62	1.8	0
63	1.8	0
64	1.8	0
Q2201		
E	0	0
C	0	0
B	0.6	0
Q2202		
1	0	0
2	0	0
3	0	0
4	0	0
5	0	0
6	0	0

MODE PIN NO.	REC	PLAY
Q2401		
E	3.7	4.2
C	4.8	4.8
B	4.4	4.8
Q2402		
E	5.9	5.1
C	6.7	6.7
B	6.4	6.3
Q2601		
E	2.4	4.2
C	1.3	0
B	1.9	3.6
Q2602		
E	2.4	4.2
C	1.3	0
B	1.9	3.6
Q2603		
E	1.9	3.6
C	3.7	4.2
B	2.4	4.2
Q2604		
E	1.8	3.6
C	3.7	4.2
B	2.4	4.1

<DV DSP>

MODE PIN NO.	REC	PLAY
IC3002		
1	3	3
2	1.3	1.4
3	1.3	1.4
4	1.3	0
5	1.3	1.2
6	3	3
7	1.3	1.2
8	1.3	1.3
9	1.6	1.6
10	0	1.7
11	0	0
12	-	-
13	-	-
14	-	-
15	0	0
16	0	0
17	2.1	2.2
18	1.2	1.2
19	0	0
20	0	0
21	1.6	0
22	1.5	1.6
23	1.5	1.5
24	1.4	1.4
25	3	3
26	0	0
27	1.3	1.4
28	1.5	1.5
29	1.4	0
30	0	1.4
31	1.4	1.4
32	1.4	1.3
33	2.1	2
34	2	2.4
35	0	2.4
36	0	0
37	-	-
38	-	-
39	-	-
40	0	0
41	1.3	1.3
42	1.2	0
43	1.2	0
44	1.2	1.2
45	0	0
46	1.2	0
47	1.2	0
48	0	0

MODE PIN NO.	REC	PLAY
49	1.5	1.5
50	0	0
IC3005		
1	1	1
2	1	1
3	0	0
4	1	0.9
5	2.1	2.1
IC3007		
1	0	1.8
2	1.7	0.8
3	0	0
4	0	0
5	1.8	1.9
IC3101		
1	0	3
2	3	3
3	0	0
4	2.9	3
5	3	3
6	2.9	3
7	3	0
8	0	0
9	0	1.4
10	0	0
11	0	0
12	0	0
13	0	0
14	0	0
15	0	0
16	0	0
17	0	0
18	0	0
19	2.9	3
20	3	2.9
21	3	3
22	3	3
23	0	0
24	3	3
25	2.9	3
26	0	0
27	2.9	2.9
28	0	0
29	0	0
30	0	0
31	3	3
32	0	0
33	0	0
34	0	0
35	0	0
36	0	0
37	0	0
38	0	0
39	0	0
40	0	0
41	0	0
42	0	0
43	0	0
44	0	1.8
45	0	1.8
46	0	1.8
47	0	1.8
48	0	1.8
49	0	0
50	0	0
51	2.9	3
52	0	0
53	0	0
54	0	3
55	3	3
56	0	0
57	0	3
58	3	3
59	0	0
60	0	0.6
61	0	0
62	0	0.6
63	0	0
64	0	0

<DV EQ>

MODE PIN NO.	REC	PLAY
IC3201		
1	0	0
2	0	0
3	0	1.3
4	0	1
5	0	0
6	0	0
7	0	0
8	0	0
9	0	0
10	0	0
11	0	0
12	0	0.7
13	0	0
14	0	0
15	0	0
16	0	0
17	0	1.2
18	0	3
19	3	3
20	3	3
21	3	3
22	0	0
23	0	0
24	0	0
25	0	0
26	0	0
27	0	0
28	0	0
29	0	0
30	0	0
31	3	3
32	0	0
33	2.1	2.1
34	0	0
35	0	0
36	0	0
37	0	0
38	0	0
39	0	0
40	0	0
41	0	0
42	0	0
43	0	0
44	0	0
45	0	1
46	0	0
47	0	0
48	0	1.7
49	3	3
50	0	0
51	3	3
52	0	0
53	0	0
54	3	3
55	3	3
56	0	0
57	3	3
58	2.1	2.1
59	0	0
60	3	3
61	0	0
62	0	0
63	0	1.5
64	2.9	1.2
65	3	1.2
66	1.4	1.4
67	0	0
68	0	1.5
69	0	0
70	0	0
71	0	3
72	0	0
73	2.9	2.9
74	3	3
75	3	0
76	0.8	1.7
77	0.8	1.7
78	0	0

MODE PIN NO.	REC	PLAY
79	0	0
80	3	3
81	0	0
82	0	0
83	0	0
84	0	0
85	0	0
86	3	0
87	3	0
88	0	0
89	0	0
90	0	0
91	3	3
92	0	0
93	2.1	2.1
94	2.7	2.5
95	0	0
96	2.7	2.5
97	0	0
98	0	0
99	2.8	2.9
100	0	0
101	0	0
102	2.9	2.9
103	0	0
104	0	0
105	0	0
106	0	0
107	3	3
108	0	0
109	0	0
110	0	0
111	0	0
112	3	1.5
113	0	0
114	0	0
115	0	0
116	0	0
117	3	3
118	2.1	2.1
119	0	0
120	3	3
IC3202		
1	2.7	1.4
2	0	3
3	0	0
4	3	1.3
5	3	3
IC3301		
1	0	1.2
2	0	1.3
3	0	1.5
4	0	0.7
5	0	1.7
6	1	1
7	0	1.7
8	0	1
9	0	0
10	0	0
11	0	0
12	0	0
13	3	3
14	3	3
15	2.2	1.9
16	3	3
17	0.4	1.2
18	0	1.5
19	0	0
20	0	0
21	0.8	0
22	0.8	1.7
23	3	3
24	3	3
25	2.9	0
26	3	3
27	0	0
28	0	0
29	0	0
30	2.2	0

MODE PIN NO.	REC	PLAY
31	0	0.5
32	2.2	2.3
33	0.6	0.5
34	1.9	1.9
35	1.7	1.5
36	1.7	1.5
37	2.2	1.5
38	0	1.5
39	0	0
40	0	0
41	0	0
42	0	0
43	1.5	1.5
44	1.2	1.2
45	1.1	1.1
46	0	0.7
47	1.2	1.2
48	1.8	1.8
49	0	0
50	0	0
51	0	0
52	0	0
53	0	0
54	1.5	1.5
55	3	3
56	3	3
57	3	2.9
58	3	2.9
59	2.5	0
60	2.4	0
61	0	0
62	2.5	0
63	1.9	2
64	0	0.7

<PRE/REC>

MODE PIN NO.	REC	PLAY
IC3501		
1	3	0
2	2.5	0
3	3	3
4	0	0
5	0	0
6	0	3
7	2.6	2.3
8	0	0.4
9	0	0
10	0.5	0
11	2.6	0.6
12	0.4	0
13	2.6	2.6
14	3	3
15	0.4	0.6
16	0	0
17	0	0
18	0.4	0
19	4.8	4.8
20	1.1	1.3
21	0.6	0.7
22	2.5	2.1
23	0	0
24	0	1
25	3	2.9
26	3	0
27	0	0
28	0	1.8
29	-0.8	0.5
30	4.6	4.8
31	4.8	0.5
32	-0.5	1.8
33	0	0
34	0	0
35	3	3
36	1.9	1.1
37	0	0
38	2.5	2.1

MODE PIN NO.	REC	PLAY
39	0.7	0.8
40	1.3	1.3
41	0	0
42	0	0
43	3	0
44	0	3
45	1.5	1.5
46	3	3
47	0	3
48	2.9	0
49	0	0
50	0	0
51	0	0
52	0	0
53	0	0
54	0	0
55	0.5	2.2
56	0	0
57	2.6	1.1
58	3	2.2
59	3	1.9
60	3	3
61	2.5	1.8
62	3	2.4
63	0	0
64	1.6	1
Q3501		
E	0	0
C	0	0
B	0.5	0.7
Q3502		
E	0	0
C	0	0
B	-1.3	0.7
Q3503		
E	0	0
C	0	0
B	-1.1	0.7
Q3504		
E	0	0
C	1.7	1
B	0.7	0.7
Q3505		
E	4.8	4.8
C	4.8	0.5
B	4.1	4.8
Q3506		
E	0	0
C	0	4.8
B	3	0

<V OUT>

MODE PIN NO.	REC	PLAY
IC3701		
1	2.2	2.2
2	2.4	2.4
3	4.8	4.8
4	0	1.8
5	0	0
6	4.8	4.8
Q3701		
1	0.6	0.6
2	1.2	1.2
3	2.8	2.8
4	0.5	0.6
5	1.2	1.2
6	0	0
Q3702		
E	2.2	2.2
C	4.7	4.7
B	2.7	2.8
Q3703		
E	3.2	3.2
C	0	0
B	2.6	2.6
Q3704		
1	-0.6	-0.6
2	0	0
3	4.8	4.8
4	0	0
5	0	0.6
6	0	4.8
Q3705		
1	0.6	0.6
2	0	0
3	-4.6	-4.6
4	0	0
5	-0.6	-0.6
6	-4.6	-4.6
Q3706		
1	0	0
2	0	0
3	4.8	4.8
4	0	0
5	0.6	0.6
6	4.8	0
Q3707		
1	0.6	0.6
2	0	0
3	-4.6	-4.6
4	0	0
5	-0.6	-0.6
6	0	-4.6
Q3708		
E	0.6	0
C	0	3.7
B	1.2	1.2
Q3709		
E	3.1	3.1
C	4.7	4.8
B	3.7	3.7
Q3710		
E	0	0
C	4.4	4.3
B	0	0
Q3711		
E	4.8	4.8
C	0	0
B	4.4	4.4

<CAMERA DSP>

MODE PIN NO.	REC	PLAY
IC4201		
1	0	0
2	1.5	3
3	1.5	3
4	1.5	0
5	1.4	0
6	1.5	0
7	1.6	3
8	1.4	0
9	1.7	0
10	0.6	0
11	0	0
12	0	0
13	0	0
14	0	0
15	3	3
16	1.3	0
17	2.9	0
18	2.4	0
19	2.4	0
20	0	0
21	0	3
22	0	0
23	1.7	1.4
24	1.5	0
25	0	0
26	3	3
27	1.5	1.5
28	0	0
29	0	0
30	0	0
31	3	3
32	1.1	1.2
33	1.5	1
34	1.9	0.7
35	1.2	0
36	0	0
37	0	0
38	3	3
39	0	0
40	0	0
41	3	3
42	0	0
43	3	3
44	3	3
45	2.9	2.9
46	3	3
47	0	0
48	0	0
IC4202		
1	4.8	0
2	0	0
3	1.2	0
4	3	3
5	4.8	4.8
IC4302		
1	0	0
2	1.3	1.1
3	1.4	1.1
4	1.3	1.4
5	1.3	1.3
6	1.3	1.2
7	1.4	1.2
8	1.3	1.5
9	0	0
10	0	0
11	0	0
12	0	0
13	2.6	2.6
14	3	3
15	1.7	1.6
16	1.3	1.3
17	3	3
18	1.6	1.6
19	1.2	0
20	0	0
21	1.6	0
22	1.3	1.1
23	3	3

MODE PIN NO.	REC	PLAY
24	1.6	1.5
25	1.6	1.5
26	0	0
27	1.5	1.9
28	1.5	1.1
29	3	3
30	2.3	2.1
31	0	0.6
32	3	2.9
33	0	0
34	2.7	2.7
35	0	0
36	0	0
37	0	0
38	1.3	1.5
39	0.6	0.5
40	2	0
41	-	1
42	0	1.9
43	1.4	0
44	1.3	1.1
IC4303		
1	3	3
2	0	0
3	1.2	1.2
4	2.5	2.5
5	2.9	3
Q4302		
1	0.8	0
2	0.8	0.8
3	0	0
4	0	0
5	0	0
6	0	0
Q4306		
E	1.1	1.1
C	0	0
B	0	0.4

<IRIS & AF/ZOOM>

MODE PIN NO.	REC	PLAY
IC4802		
1	-	-
2	-	-
3	-	-
4	-	-
5	-	-
6	-	-
7	-	-
8	-	-
IC4803		
1	-	-
2	-	-
3	-	-
4	-	-
5	-	-
6	-	-
7	-	-
8	-	-
IC4804		
1	2.1	3.6
2	2.1	2.2
3	2.2	2.2
4	0	0
5	-	-
6	-	-
7	-	-
8	-	-
IC4805		
1	0	0
2	1.3	2.6
3	1.3	0
4	0	0
5	2	1.9
6	2	1.9
7	2	1.9
8	4.8	0

MODE PIN NO.	REC	PLAY
IC4851		
1	0	0
2	0.5	0.5
3	0	0
4	0	0
5	0	0.4
6	0	0
7	0	0
8	3	3
9	6.6	6.6
10	0.4	1.2
11	0	0
12	0.4	1.3
13	6.6	6.6
14	0.4	1.3
15	0	0
16	0.4	1.3
17	0	0
18	0	0
19	0	0
20	0	0
21	0	0
22	0	0
23	6.6	6.6
24	0	0
25	0	0
26	0	0
27	6.6	6.6
28	0	0
29	0	0
30	-	0
31	3	3
32	0	0
33	0	0
34	3	3
35	3	3
36	1.5	1.5
37	1.5	1.4
38	3	3
Q4803		
E	0.4	0.4
C	1.8	1.8
B	1	1
Q4851		
E	0	0
C	3.5	3.5
B	0	0

<TG/VDR>

MODE PIN NO.	REC	PLAY
IC5501		
1	1.2	1.2
2	2.4	0
3	2.9	0
4	3	3
5	0	0
6	3	3
7	0	0
8	0.6	0
9	0	0
10	2.9	3
11	1.4	0
12	2.9	2.9
13	0	0
14	1.2	0
15	0	0
16	2.9	3
17	2.4	0
18	2.4	0
19	2.4	0
20	0	0
21	0	0
22	2.9	3
23	0	0
24	3	3
25	3	0

MODE PIN NO.	REC	PLAY
26	0	3
27	0	0
28	1.2	1.8
29	0	0
30	1.3	1.6
31	0	0
32	0	0
33	3	3
34	1.5	0
35	1.3	0
36	2.9	3
37	2.9	0
38	3	3
39	0	0
40	0	0
41	-6.2	0
42	0	12.1
43	12.1	12.2
44	-6.2	12.1
45	-6.3	12.1
46	-6.6	-6.7
47	0	0
48	2.9	0
IC5601		
1	0	0
2	0	0
3	4.8	4.8
4	0	0
5	4.8	4.8
IC5602		
1	0	0
2	2.7	2.7
3	0	0
3	0	0
4	0	0
5	2.9	3

<REG>

MODE PIN NO.	REC	PLAY
IC6001		
1	2.2	2.2
2	1.2	1.2
3	2.2	2.2
4	0	0
5	6.6	6.7
6	0	1
7	1.3	1.3
8	2.2	0
9	0	0
10	0	0
11	0.7	0.7
12	1	1
13	1	1
14	0.7	0
15	0	0
16	0	0
17	0	0.6
18	1	1
19	1.2	1.2
20	0.9	1
21	1	1
22	1	0.9
23	1	1
24	1	1
25	0.9	1
26	0.9	0
27	0	0
28	1	1
29	0	0
30	2.4	2.4
31	0.7	0.8
32	0.8	0.8
33	6.6	6.7
34	6.7	6.7
35	2.9	3
36	3	3

MODE PIN NO.	REC	PLAY
37	0	0
38	4.7	4.7
39	3.4	3.4
40	2.8	2.8
41	0	0
42	1.6	1.7
43	1	1.1
44	5.6	5.7
45	4.4	4.4
46	2.7	2.7
47	0	0
48	2.2	2.2
IC6301		
1	6.6	6.6
2	6.4	6.4
3	0	0
4	0	0
Q6111		
G	3.4	3.4
D	3	3.1
S	6.6	6.6
Q6121		
G	1.6	1.6
D	4.9	4.9
S	6.6	6.6
Q6123		
E	4.8	4.8
C	0	0
B	4.8	4.8
Q6124		
E	0	0
C	4.8	4.8
B	0	0
Q6131		
G	4.7	4.7
D	1.8	1.8
S	6.6	6.6
Q6132		
E	0	0
C	0	0
B	3	3
Q6141		
G	5.6	5.7
D	0.9	1
S	6.6	6.7
Q6151		
G	4.4	4.4
D	0	2.1
S	0.6	6.6
Q6161		
G	2.7	2.7
D	0	0
S	6.6	6.6
Q6162		
1	4.3	4.3
2	4.8	4.8
3	14.8	14.8
4	4.3	4.3
5	4.8	4.8
6	15.4	15.4
Q6163		
E	15.4	15.4
C	12.1	12.1
B	14.8	14.8
Q6164		
E	-	-
C	-	-
B	-	-
Q6165		
1	-6.1	-6.2
2	6.6	-6.7
3	-13	0
4	-6.1	-6.2
5	-6.6	-6.7
6	-15.5	-15.5
Q6166		
E	-13.6	-15.5
C	0	-6.7
B	13	-15.2

MODE PIN NO.	REC	PLAY
Q6167		
E	-14.8	-14.8
C	-15.5	-15.5
B	-15.5	-15.4
Q6168		
E	0	0
C	15.4	15.4
B	-0.8	-0.8
Q6201		
E	6.7	6.7
C	6.6	0
B	6	6.7
Q6202		
E	5.3	0
C	6.7	6.7
B	5.6	0
Q6203		
E	0	0
C	0	6.6
B	0.6	0
Q6301		
E	0	0
C	0	0
B	3	3
Q6302		
G	0	0
D	6.3	6.4
S	0	0
Q6303		
G	3	3
D	0	0
S	3.8	3.8
Q6304		
G	6.6	6.6
D	0	0
S	0	0
Q6305		
G	0	0
D	6.6	6.7
S	6.6	6.7

<LCD BL>

MODE PIN NO.	REC	PLAY
IC751		
1	4.7	4.7
2	113.9	0
3	0	0
4	24	2.7
5	23.9	2.7
6	1.6	0
7	1.6	0
8	0	0
9	3	0
10	3	3
Q7501		
E	0	0
C	4.6	4.6
B	0	0
Q7502		
E	0	0
C	4.6	4.6
B	0	0
Q7503		
E	4.7	4.7
C	4.6	4.6
B	0	0
Q7504		
E	0	0
C	0	0
B	0.6	0.7
Q7505		
E	0	0
C	0	0
B	0	0
Q7506		
E	0	0
C	0.7	0.6
B	0	0

<JACK>

MODE PIN NO.	REC	PLAY
IC501		
1	1.9	1.9
2	1.9	1.9
3	0	2
4	0	0
5	1.9	0
6	0	0
7	1.3	0
8	0	4.8
IC502		
1	2.9	2.9
2	0	0
3	4.7	4.7
Q501		
E	0	0
C	0	0
B	2.7	0
Q502		
E	0	0
C	4.3	4.3
B	-	-

<B/W VF>

MODE PIN NO.	EE
IC7101	
1	4.8
2	0
3	0
4	0
5	1
6	6.3
7	2.4
8	0.6
9	1.4
10	0
11	0
12	0
13	4.8
14	7.8
15	4.8
16	0
17	2.4
18	6
19	2
20	9.4
21	0
22	2.6
23	0
24	2.4
25	2.9
26	2.9
27	3.5
28	0
29	11.3
30	2.5
31	0
32	0.4
33	1.2
34	0
35	0
36	0.7
37	0.6
38	0
39	1.3
40	11.5
41	0
42	0
43	4.8
44	4.8
45	2.4
46	0.9
47	0
48	0

<MONITOR>

MODE PIN NO.	EE
IC7601	
1	2.4
2	0
3	2.8
4	2.7
5	3.4
6	4.8
7	2
8	3.3
9	3.4
10	0
11	6.1
12	6.2
13	12.1
14	6.2
15	6.2
16	6.3
17	6.2
18	6.3
19	0
20	0
21	0
22	0
23	2.9
24	2.7
25	0
26	0
27	0
28	0
29	0
30	0.9
31	0.9
32	0.8
33	3
34	0
35	0
36	2.6
37	0.4
38	0
39	0
40	0
41	0
42	0
43	1.5
44	1.7
45	2.5
46	0
47	0
48	2.5
49	0
50	3
51	0
52	3.5
53	0
54	3
55	3
56	2.7
57	0
58	0
59	0
60	2.5
61	2.7
62	2.7
63	0
64	0
IC7603	
1	3
2	0
3	3
4	0
5	3
6	3
7	3
8	3
IC7604	
1	6
2	6.2
3	6
4	6.2

<CCD>

MODE PIN NO.	EE
IC5001	
1	-6.2
2	-6.2
3	0
4	0
5	0
6	0
7	12.1
8	9.3
9	0
10	10.4
11	1.4
12	1.2
13	7.2
14	0
Q5001	
E	8.6
C	12.1
B	9.3

<B/W VFIF>

MODE PIN NO.	EE
Q7201	
E	0.8
C	1.7
B	1.5

MODE PIN NO.	EE
5	6.2
6	0
7	0
8	0
9	0
10	0
11	0
12	6.2
13	5.8
14	6.2
15	6.2
16	12.1
IC7605	
1	0
2	0
3	-4.7
4	0
5	0
6	4.7
7	0
8	12.1
IC7606	
1	0
2	0
3	0
4	3
5	3
IC7607	
1	1.5
2	3
3	0
4	1.4
5	3
Q7602	
E	0
C	0
B	3
Q7603	
E	4.8
C	4.7
B	0
Q7604	
E	4.8
C	2.4
B	4.8
Q7605	
E	4.7
C	2.4
B	4.7
Q7606	
E	4.8
C	2.4
B	4.7
Q7607	
E	-8.9
C	0
B	-8.4
Q7608	
E	-8.6
C	-14.4
B	-8.9
Q7609	
E	0.8
C	12.1
B	1.3
Q7610	
E	1.1
C	-12.9
B	0.8
Q7615	
E	3
C	-13
B	3
Q7616	
E	0
C	0
B	2.9

<DSC>

MODE PIN NO.	EE	PB
IC8001		
1	3	3
2	2.9	2.9
3	2.9	2.9
4	2.9	2.9
5	2.9	2.9
6	2.9	2.9
7	2.9	2.9
8	3	2.9
9	2.9	2.9
10	3	2.9
11	0	0
12	3	3
13	0	0
14	0	0
15	0	0
16	0	0
17	0	0
18	0	0
19	3	3
20	1.4	1.4
21	1.4	1.3
22	1.4	1.4
23	0	0
24	0	0
25	0	0
26	0	0
27	0	0
28	0	0
29	3	1
30	2.9	2.1
31	2.9	2.1
32	2.9	1
33	2.9	1
34	2.9	1
35	2.9	0
36	3	3
37	0	0
38	2.9	1.7
39	2.9	1.5
40	2.9	1.5
41	2.9	1.7
42	3	2.9
43	3	1
44	3	1
45	0	0
46	0	0
47	0	0
48	0	0
49	0	0
50	0	0
51	0	0
52	0	0
53	0	0
54	0	0
55	3	3
56	0	0
57	0	0
58	0	0
59	0	0
60	0	0
61	0	0
62	0	0
63	0	0
64	0	0
65	0	0
66	0	0
67	0	0
68	2.9	2.9
69	2.9	2.9
70	2.9	2.9
71	2.9	2.9
72	0	0
73	2.9	3
74	2.9	2.9
75	2.9	2.9
76	2.9	2.9
77	2.9	2.9
78	2.9	2.9

MODE PIN NO.	EE	PB
79	2.9	2.9
80	2.9	2.9
81	0	0
82	0	0
83	0	0
84	0	0
85	2.9	2.9
86	0	0
87	3	3
88	2.9	2.9
89	3	3
90	0	0
91	0	0
92	1.5	1.5
93	3	3
94	0	0
95	3	3
96	0.7	0.7
97	3	3
98	2.9	2.9
99	2.9	2.9
100	2.9	2.9
101	2.9	2.9
102	2.9	2.9
103	2.9	2.9
104	2.9	2.9
105	2.9	2.9
106	2.9	2.9
107	2.9	2.9
108	3	3
109	0	0
110	2.9	2.9
111	2.9	2.9
112	2.9	2.9
113	2.9	2.9
114	2.9	2.9
115	2.6	2.6
116	3	3
117	0	0
118	3	3
119	3	3
120	3	3
121	3	3
122	3	3
123	3	3
124	3	3
125	3	3
126	0	0
127	3	3
128	3	3
129	3	3
130	3	3
131	3	2.9
132	3	3
133	3	3
134	3	3
135	3	3
136	1.5	1.5
137	0	0
138	0	0
139	1.5	1.3
140	2.9	2.9
141	2.9	2.9
142	2.9	2.9
143	2.9	2.9
144	0	0
IC8002		
1	2.9	2.9
2	2.9	2.9
3	2.9	2.9
4	2.9	2.9
5	2.9	2.9
6	0	0
7	2.9	2.9
8	2.9	2.9
9	2.9	2.9
10	2.9	3
11	2.9	2.9
12	3	3

MODE PIN NO.	EE	PB
13	2.9	2.9
14	2.9	2.9
15	0	0
16	1.6	1.6
17	0	0
18	0	0
19	0	0
20	2.9	3
21	0	0
22	3	3
23	2.9	2.9
24	2.9	2.9
25	0	0
26	2.9	2.9
27	2.9	2.9
28	2.9	2.9
29	2.9	2.9
30	2.9	2.9
31	0	0
32	2.9	2.9
33	2.9	2.9
34	2.9	2.9
35	2.9	2.9
36	2.9	3
37	3	2.9
38	2.9	2.9
39	3	2.9
40	3	3
41	2.9	2.9
42	0	0
43	0	0
44	3	2.9
45	2.9	2.9
46	2.9	2.9
47	2.9	2.9
48	2.9	2.9
49	2.9	2.9
50	0	0
51	2.9	3
52	2.9	2.9
53	2.9	2.9
54	2.9	2.9
55	2.9	2.9
56	0	0
57	2.9	2.9
58	2.9	2.9
59	2.9	2.9
60	3	3
61	2.9	2.9
62	2.9	2.9
63	2.9	3
64	2.9	2.9
65	0	0
66	0	0
67	2.9	2.9
68	2.9	2.9
69	2.9	2.9
70	2.9	2.9
71	2.9	2.9
72	2.9	2.9
73	2.9	2.9
74	2.9	2.9
75	0	0
76	2.9	2.9
77	2.9	2.9
78	2.9	2.9
79	2.9	2.9
80	2.9	2.9
81	0	0
82	2.9	2.9
83	2.9	2.9
84	2.9	2.9
85	2.9	2.9
86	3	2.9
87	2.9	2.9
88	2.9	2.9
89	3	2.9
90	0	0
91	3	2.9

MODE PIN NO.	EE	PB
92	0	0
93	2.9	2.9
94	2.9	2.9
95	2.9	2.9
96	2.9	2.9
97	2.9	2.9
98	2.9	2.9
99	2.9	2.9
100	0	0
IC8003		
1	3	2.9
2	3	2.9
3	3	2.9
4	3	2.9
5	3	2.9
6	3	2.9
7	3	2.9
8	3	2.9
9	3	2.9
10	0	0
11	3.1	3
12	3	2.9
13	0	0
14	0	0
15	3	3
16	3	2.9
17	3	2.9
18	3	2.9
19	3	2.9
20	3	2.9
21	3	2.9
22	3	2.9
23	3	2.9
24	3	2.9
25	3	2.9
26	3	3
27	0	0
28	3.1	3
29	3	3
30	2.9	2.9
31	3	2.9
32	3	2.9
33	3	2.9
34	2.9	2.9
35	2.9	2.9
36	2.9	2.9
37	3.1	3.1
38	2.9	2.9
39	2.9	2.9
40	2.9	2.9
41	2.9	2.9
42	2.9	2.9
43	2.9	2.9
44	2.9	2.9
45	2.9	2.9
46	0	0
47	3.1	3
48	3	2.9
IC8004		
1	3.9	4
2	0	0
3	2.9	2.9
4	0	0
5	3.1	3
IC8007		
1	1.4	1.4
2	1.4	1.4
3	0	0
4	0	0
5	3	3
6	1.4	1.5
7	1.4	1.5
8	3	3
IC8008		
1	0	0
2	2.9	2.9
3	1.5	1.3
4	0	0
5	2.9	2.9

MODE PIN NO.	EE	PB
6	1.4	1.1
7	0	0
8	3	3
IC8009		
1	0	0
2	2.9	2.9
3	1.5	1.5
4	0	0
5	3	3
6	1.5	1.5
7	1.5	1.5
8	3	3
IC8051		
1	0.5	0.5
2	3	3
3	0	0
4	3.1	3.1
5	3.1	3.1
IC8052		
1	3	3
2	0	0
3	0	0
4	0	0
4	0.5	0.5
5	0.5	0.5
6	2.9	2.9
7	3.1	3.1
8	3	3.1
IC8053		
1	3	3.1
2	3	3.1
3	2.6	2.6
4	0	0
5	0.5	0.5
6	2.9	2.9
7	3.1	3.1
8	3	3.1
IC8053		
1	3	3.1
2	3	3.1
3	2.6	2.6
4	0	0
5	2.6	2.7
6	3.0	3.1
7	3.1	3.1
8	3	3.1
Q8001		
E	4.7	4.7
C	3	3.1
B	4.1	4.1
Q8002		
E	3	3
C	4.7	4.7
B	3.7	3.7
Q8051		
E	3.1	3.1
C	3.1	3.1
B	2.5	2.5
Q8052		
E	0	0
C	0	0
B	3.1	3.1